

52cm integrated dark stainless rangehood with Hob2Hood enabled, powerful 760m³/hr extraction rate, 3 fan speed plus boost and dishwasher safe filters.

RRP NZ \$1,199.00



Product Details

FEATURES

Hob2Hood	Powerful 760m ³ /hr extraction rate	LED lighting	3 speed fan + Boost mode
Dishwasher safe mesh filters	Dark Stainless Steel Finish	Ducted or recirculating options	

BENEFITS

Clear the air with Hob2Hood
With Hob2Hood technology, compatible rangehoods work seamlessly with your induction cooktop to clear your kitchen of cooking smells and steam. As you start cooking, the rangehood will automatically turn on then intuitively adjust the fan speed and airflow to match your cooking. How's that for hands-free convenience?

Clear the air quickly
Our rangehoods offer powerful extraction rates ensuring your kitchen is clear of cooking odours, vapours and excess heat in no time at all.

Low energy, long lasting LED
With low energy use and a high illumination performance, long-lasting LED lights make it easy to keep an eye on your delicious cooking.

Easy-clean filters
For ease and convenience, our easily removed aluminium micro-mesh filters can simply be washed safely in your dishwasher or hand washed. Keep your rangehood looking great and performing well with next to no effort.

Quiet please, the cook's at work
We believe you should be able to cook and hear yourself think, or even have a conversation. That's why we developed a quieter motor that gives you high-speed extraction without the high levels of noise.

Specifications

PRODUCT PROFILE

Domestic warranty details (yrs)	2
Type of Rangehood	integrated under cupboard
Nominal width	520
Finish of Rangehood	Dark stainless steel

DIMENSIONS

Total product height (mm)	329
Total product width (mm)	520
Total product depth (mm)	300

MOTOR/FAN

Number of fans	1
Number of fans speeds	3
Type of motor	tangential
Perimeter extraction	No
Maximum airflow M3/Hr	760
Noise level dB high	67
Noise level dB low	53
Number of motors	1
Wattage of motor	275

CONTROLS

Control panel	electronic push button
Safety/ display indicators	clean filter indicator, auto thermal cutout safety switch
Hob2Hood function	Yes

DIMENSIONS

Diameter of ducting (mm)	150
--------------------------	-----

Minimum installation height from cooking surface Gas (mm)	650
---	-----

Minimum installation height from cooking surface Electric (mm)	600
--	-----

Cut out width (mm)	492
--------------------	-----

Cut out depth (mm)	259
--------------------	-----

Cut out height (mm)	329
---------------------	-----

FILTERS

Number of filters	1
-------------------	---

Type of filter	multilayer aluminum micromesh filters
----------------	---------------------------------------

Dishwasher safe	Yes
-----------------	-----

DUCTING / RECIRCULATION

Ducting	optional accessory
---------	--------------------

Top or rear duct hole	top
-----------------------	-----

LIGHTS

Number of lights	2
------------------	---

Wattage of light	1
------------------	---

Type of light	LED
---------------	-----

SHIPPING

Shipping Volume (m3)	0.094
----------------------	-------

Shipping Weight (Kg)	10
----------------------	----

DUCTING / RECIRCULATION

Recirculation option	Yes
Recirculation kit	optional accessory
Front recirculating option	No
Optional extension flue	No
Type of filter	Charcoal
Filter	Optional
Number of optional filters required	two
Ducting diameter (mm)	150

STUFFING QUANTITIES

20ft	285
40ft	585
40ft HC	702

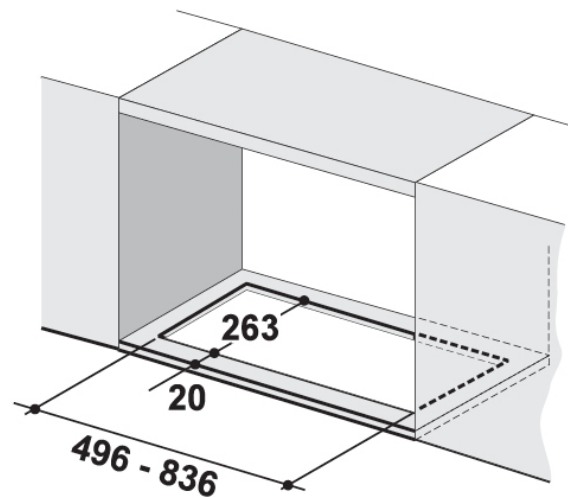
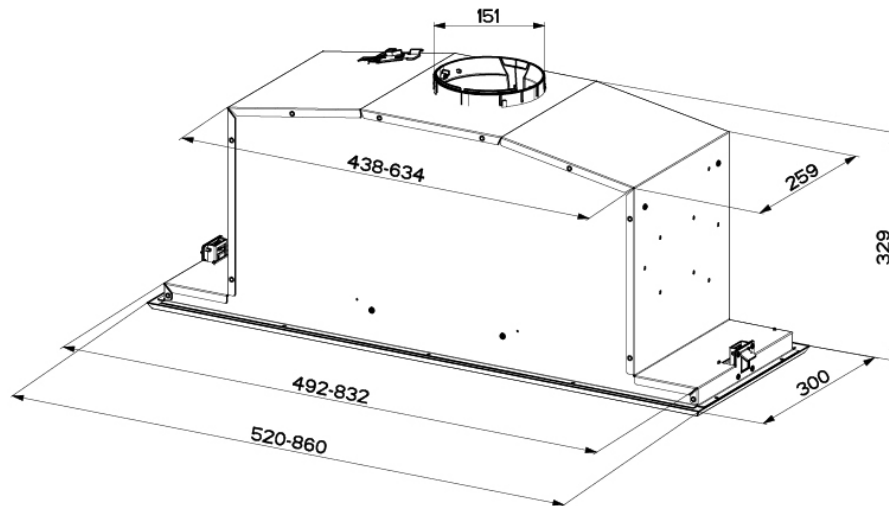
SHIPPING

Product Weight (Kg)	8
Pack Dimensions Height (mm)	425
Pack Dimension Width (mm)	605
Pack Dimension Depth (mm)	365

Dimensions

Integrated rangehood

WRI524BB



IMPORTANT

These dimensions are a guide only. All measurements are in millimetres (mm).
For complete installation instructions, refer to the manual provided with product.

Terms and Conditions

IMPORTANT

This is a guide of product dimensions only. For complete installation instructions, refer to the manual provided with product.

PRODUCT INFORMATION

The descriptors and illustrations in this publication apply to the specific products and models described as at the date of issue. Under our policy of continuous product development, product specifications may change without notice. Prospective purchasers should therefore check with their retailer to ensure this publication correctly describes the products that are being offered for sale. All information supplied is to be used for general reference purposes only and is on the understanding that Electrolux Home Products Pty Ltd (Australia) and Electrolux (NZ) Ltd (New Zealand) will not be liable for any loss, liability or damage of whatever kind arising as a result of reliance on such information. Colours of products illustrated are as close as printing limitations allow. Electrolux will at all times comply with its obligations pursuant to law including Trade Practices (Australian Consumer Law) Act and Regulations.

WARRANTY

This warranty only applies to Appliances purchased and used in Australia or New Zealand and used in normal domestic applications and is in addition to (and does not exclude, restrict, or modify in any way) any non-excludable statutory warranties in Australia or New Zealand. All warranties are subject to the conditions set out in the warranty card accompanying the product when purchased.

ELECTROLUX HOME PRODUCTS AUSTRALIA

telephone: 1300 363 640

fax: 1800 350 067

email: customercare@electrolux.com.au

web: www.electrolux.com.au

ELECTROLUX HOME PRODUCTS NEW ZEALAND

telephone: 09 573 2230

fax: 09 573 2221

email: customercare@electrolux.co.nz

web: www.electrolux.co.nz