

**60cm stainless steel canopy hood with 840m<sup>3</sup>/h extraction, LED lighting, 3 fan speeds and dishwasher safe mesh filters.**

RRP NZ \$779.00



## Product Details

### FEATURES

---

Powerful 840m<sup>3</sup>/hr extraction rate

LED lighting

3 speed fan

Auto off timer

---

Dishwasher safe mesh filters

Clean filter indicator

Stainless Steel finish

---

### BENEFITS

---

#### Clear the air quickly

Our rangehoods offer powerful extraction rates ensuring your kitchen is clear of cooking odours, vapours and excess heat in no time at all.

#### Easy clean touch control panel

A flat touch control panel makes the most touched surface on your rangehood even easier to use

---

#### Low energy, long lasting LED

With low energy use and a high illumination performance, long-lasting LED lights make it easy to keep an eye on your delicious cooking.

#### Easy-clean filters

For ease and convenience, our easily removed aluminium micro-mesh filters can simply be washed safely in your dishwasher or hand washed. Keep your rangehood looking great and performing well with next to no effort.

---

## Specifications

### PRODUCT PROFILE

---

|                                 |   |
|---------------------------------|---|
| Domestic warranty details (yrs) | 2 |
|---------------------------------|---|

---

|                   |                     |
|-------------------|---------------------|
| Type of Rangehood | wall mounted canopy |
|-------------------|---------------------|

---

|               |     |
|---------------|-----|
| Nominal width | 600 |
|---------------|-----|

---

|                     |                 |
|---------------------|-----------------|
| Finish of Rangehood | stainless steel |
|---------------------|-----------------|

---

### DIMENSIONS

---

|                           |      |
|---------------------------|------|
| Total product height (mm) | 1160 |
|---------------------------|------|

---

|                          |     |
|--------------------------|-----|
| Total product width (mm) | 600 |
|--------------------------|-----|

---

|                          |     |
|--------------------------|-----|
| Total product depth (mm) | 500 |
|--------------------------|-----|

---

|                          |     |
|--------------------------|-----|
| Diameter of ducting (mm) | 150 |
|--------------------------|-----|

---

### MOTOR/FAN

---

|                |   |
|----------------|---|
| Number of fans | 1 |
|----------------|---|

---

|                       |   |
|-----------------------|---|
| Number of fans speeds | 3 |
|-----------------------|---|

---

|          |     |
|----------|-----|
| Auto off | Yes |
|----------|-----|

---

|               |             |
|---------------|-------------|
| Type of motor | centrifugal |
|---------------|-------------|

---

|                      |    |
|----------------------|----|
| Perimeter extraction | No |
|----------------------|----|

---

|                       |     |
|-----------------------|-----|
| Maximum airflow M3/Hr | 840 |
|-----------------------|-----|

---

|                     |    |
|---------------------|----|
| Noise level dB high | 73 |
|---------------------|----|

---

|                    |    |
|--------------------|----|
| Noise level dB low | 52 |
|--------------------|----|

---

### POWER

---

|                                  |       |
|----------------------------------|-------|
| Electricity supply required (Kw) | 0.338 |
|----------------------------------|-------|

---

## DIMENSIONS

---

|   |     |
|---|-----|
| Minimum installation height from cooking surface Gas (mm) | 650 |
|---|-----|

---

|  |     |
|--|-----|
| Minimum installation height from cooking surface Electric (mm) | 600 |
|--|-----|

---

|                                    |      |
|------------------------------------|------|
| Maximum canopy chimney height (mm) | 1160 |
|------------------------------------|------|

---

|                       |     |
|-----------------------|-----|
| Flue cover depth (mm) | 290 |
|-----------------------|-----|

---

|                       |     |
|-----------------------|-----|
| Flue cover width (mm) | 320 |
|-----------------------|-----|

---

## CONTROLS

---

|               |                  |
|---------------|------------------|
| Control panel | electronic touch |
|---------------|------------------|

---

|                            |   |
|----------------------------|---|
| Safety/ display indicators | automatic safety cut off,clean filter indicator |
|----------------------------|---|

---

|                   |     |
|-------------------|-----|
| LED speed display | Yes |
|-------------------|-----|

---

## LIGHTS

---

|                  |   |
|------------------|---|
| Number of lights | 2 |
|------------------|---|

---

|                  |     |
|------------------|-----|
| Wattage of light | 3.5 |
|------------------|-----|

---

## FILTERS

---

|                   |   |
|-------------------|---|
| Number of filters | 1 |
|-------------------|---|

---

|                |                                       |
|----------------|---------------------------------------|
| Type of filter | multilayer aluminum micromesh filters |
|----------------|---------------------------------------|

---

|                 |     |
|-----------------|-----|
| Dishwasher safe | Yes |
|-----------------|-----|

---

## DUCTING / RECIRCULATION

---

|         |                    |
|---------|--------------------|
| Ducting | optional accessory |
|---------|--------------------|

---

|                       |     |
|-----------------------|-----|
| Top or rear duct hole | top |
|-----------------------|-----|

---

## LIGHTS

---

|               |     |
|---------------|-----|
| Type of light | LED |
|---------------|-----|

---

## DUCTING / RECIRCULATION

---

|                      |     |
|----------------------|-----|
| Recirculation option | Yes |
|----------------------|-----|

---

|                   |                    |
|-------------------|--------------------|
| Recirculation kit | optional accessory |
|-------------------|--------------------|

---

|                            |    |
|----------------------------|----|
| Front recirculating option | No |
|----------------------------|----|

---

|                             |         |
|-----------------------------|---------|
| Ducting accessory available | AR610RK |
|-----------------------------|---------|

---

|                |          |
|----------------|----------|
| Type of filter | Charcoal |
|----------------|----------|

---

|        |          |
|--------|----------|
| Filter | Optional |
|--------|----------|

---

|                                     |     |
|-------------------------------------|-----|
| Number of optional filters required | two |
|-------------------------------------|-----|

---

|                       |     |
|-----------------------|-----|
| Ducting diameter (mm) | 150 |
|-----------------------|-----|

---

## SHIPPING

---

|                             |     |
|-----------------------------|-----|
| Pack Dimensions Height (mm) | 630 |
|-----------------------------|-----|

---

|                           |     |
|---------------------------|-----|
| Pack Dimension Width (mm) | 695 |
|---------------------------|-----|

---

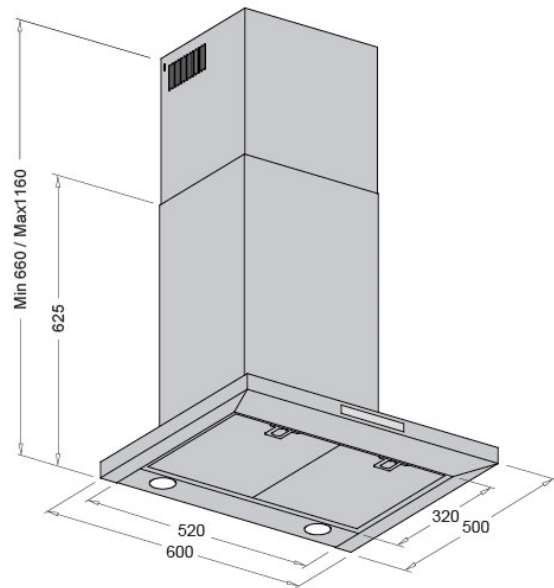
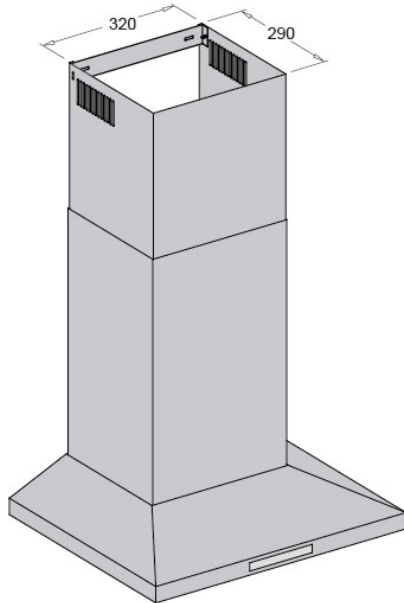
|                           |     |
|---------------------------|-----|
| Pack Dimension Depth (mm) | 397 |
|---------------------------|-----|

---

## Dimensions

### Canopy rangehoods

WRC614SC



#### IMPORTANT

These dimensions are a guide only. All measurements are in millimetres (mm).  
For complete installation instructions, refer to the manual provided with product.

# Terms and Conditions

## IMPORTANT

This is a guide of product dimensions only. For complete installation instructions, refer to the manual provided with product.

## PRODUCT INFORMATION

The descriptors and illustrations in this publication apply to the specific products and models described as at the date of issue. Under our policy of continuous product development, product specifications may change without notice. Prospective purchasers should therefore check with their retailer to ensure this publication correctly describes the products that are being offered for sale. All information supplied is to be used for general reference purposes only and is on the understanding that Electrolux Home Products Pty Ltd (Australia) and Electrolux (NZ) Ltd (New Zealand) will not be liable for any loss, liability or damage of whatever kind arising as a result of reliance on such information. Colours of products illustrated are as close as printing limitations allow. Electrolux will at all times comply with its obligations pursuant to law including Trade Practices (Australian Consumer Law) Act and Regulations.

## WARRANTY

This warranty only applies to Appliances purchased and used in Australia or New Zealand and used in normal domestic applications and is in addition to (and does not exclude, restrict, or modify in any way) any non-excludable statutory warranties in Australia or New Zealand. All warranties are subject to the conditions set out in the warranty card accompanying the product when purchased.

### ELECTROLUX HOME PRODUCTS AUSTRALIA

telephone: 1300 363 640

fax: 1800 350 067

email: [customercare@electrolux.com.au](mailto:customercare@electrolux.com.au)

web: [www.electrolux.com.au](http://www.electrolux.com.au)

### ELECTROLUX HOME PRODUCTS NEW ZEALAND

telephone: 09 573 2230

fax: 09 573 2221

email: [customercare@electrolux.co.nz](mailto:customercare@electrolux.co.nz)

web: [www.electrolux.co.nz](http://www.electrolux.co.nz)