

WHG648SC

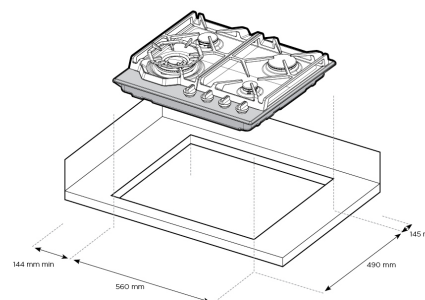
60cm 4 burner stainless steel gas cooktop with a high powered, intense 17 MJ/h wok burner, dual valve flame control and cast iron trivets.

Features

- High powered, intense 17 MJ/h wok burner
- Dual Valve Control
- Cast iron trivets
- Flat Trivets
- Simple and durable control panel graphics
- Easy under knob ignition
- Flame Failure Device
- LP Gas Conversion kit included



60cm gas cooktops
WHG644SC, WHG648SC



NOTE: Distances shown to adjacent walls/surfaces are for the distance to a combustible surface. If the surface is not combustible the measurement can be smaller than that shown.

IMPORTANT
These dimensions are a guide only. All measurements are in millimetres (mm). For complete installation instructions, refer to the manual provided with product.

DIMENSIONS

Total product height (mm) - 55, Total product width (mm) - 595, Total product depth (mm) - 530, Cut out width (mm) - 560, Cut out depth (mm) - 490