

**Serie | 6, Fully-integrated dishwasher,
60 cm
SMV6HCX01A**



Door panel not included. Match to kitchen cabinetry.



Dishwasher with an Extra Clean Zone for difficult to clean dishes, and WiFi connectivity.

- **InfoLight:** A red LED light that discreetly beams onto the floor while the dishwasher is in operation.
- **VarioDrawer:** Provides a convenient third loading level for cutlery and utensils.
- **Extra Clean Zone:** Provides an even better cleaning result for items placed directly over the three rotating nozzles.
- **HygienePlus option:** Extended increased temperature cycle for hygienic cleaning.
- **Home Connect:** Control & monitor your dishwasher remotely from your smartphone or tablet.

Technical Data

Water consumption (l) :	11.0
Built-in / Free-standing :	Built-in
Height of removable worktop (mm) :	0
Dimensions of the product (HxWxD) :	815 x 598 x 550
Required niche size for installation (HxWxD) :	815-875 x 600 x 550
Depth with open door 90 degree (mm) :	1150
Adjustable feet :	Yes - all from front
Maximum adjustability feet (mm) :	60
Net weight (kg) :	39.836
Gross weight (kg) :	42.0
Connection Rating (W) :	2400
Current (A) :	10
Voltage (V) :	220-240
Frequency (Hz) :	50; 60
Length electrical supply cord (cm) :	175
Plug type :	AU plug
Length inlet hose (cm) :	165
Length outlet hose (cm) :	190
EAN code :	4242005280797
Number of place settings :	15
Energy consumption (kWh) :	0.65
Total cycle time of reference programme (min) :	195
Noise level (dB) :	44
Installation typology :	Full-integrated

Optional accessories

SMZ5300 : GlassSecure Tray



Serie | 6, Fully-integrated dishwasher, 60 cm SMV6HCX01A

Dishwasher with an Extra Clean Zone for difficult to clean dishes, and WiFi connectivity.

Capacity

- 15 place setting capacity

Consumption rates

- 4 Star Energy rating
- 5.5 Star WELS Water rating
- 11 litres water consumption per wash and 245 kWh energy consumption per year, based on the Eco Wash 45 °C program with a cold water connection

Design

- InfoLight: program status indicator beams a red light onto the floor to let you know when the dishwasher is operating
- Hidden control buttons integrated into the top of the door
- Stainless steel interior tub with 10 year rust through warranty
- SoftTouch buttons: Electronic soft-touch activated buttons
- Time remaining display
- Audible program end indicator tone (can be turned on/off)
- Vapor barrier plate included

Wash Programs and Options

- 8 Wash Programs:
 - Eco Wash 45 °C
 - Auto Wash 45-65 °C
 - Auto Gentle 35-45 °C
 - Pots/Pans 70 °C
 - Quick 1h 65 °C
 - Express Wash 45 °C
 - ExtraQuiet 50 °C
 - Favourite (Pre-Rinse is set as default)
- 4 special options:
 - Remote Start: Connect to WiFi via HomeConnect
 - Extra Dry: Provides an even better drying result by extending the drying time.
 - HygienePlus: Hotter final rinse, for increased hygiene that helps to remove bacteria
 - SpeedPerfect: Reduces the wash time, and can be activated at any moment (even after the wash program has started) via the SpeedPerfect button or via WiFi using the Home Connect app
- Machine Care: Maintains your dishwasher's optimum performance and hygiene.

Performance

- Extra Clean Zone: Provides an even better cleaning result for items placed directly over the three rotating nozzles in the top basket
- DosageAssist: Maximises the effectiveness of detergent tablets. The tablet is dropped into a specially engineered

tray and is completely dissolved. For superior cleaning performance and a quieter wash

- EcoSilence Drive quiet and energy-efficient brushless motors (BLDC): Main Pump & Drain Pump. Variable water & spray pressure to achieve optimum cleaning results. Fast and extra quiet draining of water, no gargling sounds
- Aqua Sensor technology: Regulates the water usage depending on the type and degree of soiling.
- Load Sensor technology: Provides for optimal water usage even for half loads or partial loads, saving water and electricity.
- AutoBrilliance: Automatic detergent and rinse aid sensor
- Heat Exchanger: Hygienic fully enclosed drying system - does not draw contaminated air (dust & allergens) from the dishwasher exterior. Reduces temperature shock, water & energy use.
- 3 stage filter system, including an innovative micro filter with a corrugated design that conveniently helps to reduce the need to wash the filter and also helps to prevent blockages.
- 5 spray levels for maximum water contact and optimum wash results
- Quiet operation: 44 dB(A)
- Extra Quiet program noise level: 42 dB(A)
- Home Connect WiFi connectivity

Flexibility

- VarioDrawer: Provides an extra loading level for cutlery and utensils
- Max Flex basket system with red coloured touchpoints, easy to identify flexing & moving parts
- Rackmatic: the top basket can be adjusted to at various height levels to maximise convenience, and even utilised on an angle which helps prevent water pooling on the top of cups
- Anti-slip protection strips in top basket
- Smooth gliding basket wheels with ball bearings in the top basket
- Smooth gliding low friction wheels in the bottom basket
- 2 foldable plate racks in top basket
- 6 foldable plate racks in bottom basket
- 2 foldable cup shelves with soft silicone edges in top basket
- 2 foldable cup shelves in bottom basket
- Time delay start: Delay program start time by 1-24 hours to suit your schedule
- Moveable cutlery basket in bottom basket
- Rack Stopper to prevent derailing of bottom basket
- Large item spray head: For washing extra large items such as baking trays and rangehood filters
- Vapor barrier plate included

Safety

- AquaStop Plus: Water supply device with lifetime anti-flood protection
- Child door lock

Appliance dimensions and weight

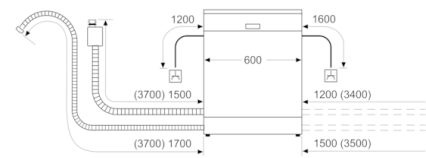
- Appliance dimensions (HxWxD): 81.5-87.5 cm x 59.8 cm x 55 cm
- Packaging dimensions (HxWxD): 88 cm x 66 cm x 67 cm
- Gross Weight: 42 kg

2 year warranty

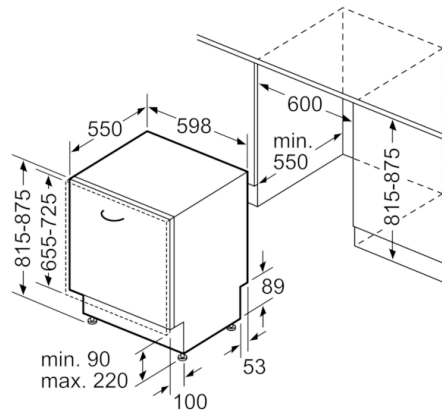
www.bosch-home.co.nz/metapages/warranty

Serie | 6, Fully-integrated dishwasher, 60 cm SMV6HCX01A

measurements in mm



socket
() values with extension kit



measurements in mm