

**Serie | 4, Fully-integrated dishwasher,
60 cm
SMV4HTX01A**



**Dishwasher with 14 place setting capacity,
very low energy and water consumption,
and WiFi connectivity.**

- **InfoLight:** A red LED light that discreetly beams onto the floor while the dishwasher is in operation.
- **Home Connect:** Control & monitor your dishwasher remotely from your smartphone or tablet.
- **HygienePlus option:** Extended increased temperature cycle for hygienic cleaning.
- **EcoSilence Drive:** Maximum efficiency, economy, durability, ultra-quiet performance and top results.
- **Favourite function:** Save any combination of programs and options.

Technical Data

Water consumption (l) :	13.5
Built-in / Free-standing :	Built-in
Height of removable worktop (mm) :	0
Dimensions of the product (HxWxD) :	815 x 598 x 550
Required niche size for installation (HxWxD) :	815-875 x 600 x 550
Depth with open door 90 degree (mm) :	1155
Adjustable feet :	Yes - all from front
Maximum adjustability feet (mm) :	60
Net weight (kg) :	33.857
Gross weight (kg) :	35.9
Connection Rating (W) :	2400
Current (A) :	10
Voltage (V) :	220-240
Frequency (Hz) :	50; 60
Length electrical supply cord (cm) :	175
Plug type :	AU plug
Length inlet hose (cm) :	165
Length outlet hose (cm) :	190
EAN code :	4242005249992
Number of place settings :	14
Energy consumption (kWh) :	0.62
Total cycle time of reference programme (min) :	185
Noise level (dB) :	46
Installation typology :	Full-integrated

Optional accessories

SMZ5300 : GlassSecure Tray



Serie | 4, Fully-integrated dishwasher, 60 cm SMV4HTX01A

Dishwasher with 14 place setting capacity, very low energy and water consumption, and WiFi connectivity.

Capacity

- 14 place setting capacity

Consumption rates

- 4 Star Energy rating
4 Star WELS Water rating
- 13.5 litres water consumption per wash and 230 kWh energy consumption per year, based on the Eco Wash 45 °C program with a cold water connection

Design

- InfoLight: program status indicator beams a red light onto the floor to let you know when the dishwasher is operating
- Hidden control buttons integrated into the top of the door
- Polinox inner tub: The patented Polinox inner tub is extremely durable, odourless and rust-free. German engineered with robust materials that withstand dints, scratches and discolouration, based on 10 year simulation tests
- Time remaining display
- Audible program end indicator tone (can be turned on/off)
- Vapor barrier plate included

Wash Programs and Options

- 6 programs:
 - Eco Wash 45 °C
 - Auto Wash 45-65 °C
 - Pots/Pans 70 °C
 - Quick 1h 65 °C
 - Glass Wash 40 °C
 - Favourite (Pre-Rinse is set as default)
- 4 special options:
 - Remote Start: Connect to WiFi via HomeConnect
 - Extra Dry: Provides an even better drying result by extending the drying time.
 - HygienePlus: Hotter final rinse, for increased hygiene that helps to remove bacteria
 - SpeedPerfect: Reduces the wash time, and can be activated at any moment (even after the wash program has started) via the SpeedPerfect button or via WiFi using the Home Connect app
- Machine Care: Maintains your dishwasher's optimum performance and hygiene.

Performance

- DosageAssist: Maximises the effectiveness of detergent tablets. The tablet is dropped into a specially engineered tray and is completely dissolved. For superior cleaning performance and a quieter wash
- EcoSilence Drive quiet and energy-efficient brushless motors (BLDC): Main Pump & Drain Pump. Variable water & spray

pressure to achieve optimum cleaning results. Fast and extra quiet draining of water, no gargling sounds

- Aqua Sensor technology: Regulates the water usage depending on the type and degree of soiling.
- Load Sensor technology: Provides for optimal water usage even for half loads or partial loads, saving water and electricity.
- AutoBrilliance: Automatic detergent and rinse aid sensor
- Heat Exchanger: Hygienic fully enclosed drying system - does not draw contaminated air (dust & allergens) from the dishwasher exterior. Reduces temperature shock, water & energy use.
- 3 stage filter system, including an innovative micro filter with a corrugated design that conveniently helps to reduce the need to wash the filter and also helps to prevent blockages.
- 5 spray levels for maximum water contact and optimum wash results
- Quiet operation: 46 dB(A)
- Home Connect WiFi connectivity

Flexibility

- VarioFlex basket system
- Rackmatic: the top basket can be adjusted to at various height levels to maximise convenience, and even utilised on an angle which helps prevent water pooling on the top of cups
- Smooth gliding low friction wheels in the bottom basket
- 2 foldable plate racks in top basket
- 4 foldable plate racks in bottom basket
- 2 foldable cup shelves in top basket
- Knife and cutlery tray in upper basket
- Time delay start: Delay program start time by 1-24 hours to suit your schedule
- Moveable cutlery basket in bottom basket
- Rack Stopper to prevent derailing of bottom basket
- Large item spray head: For washing extra large items such as baking trays and rangehood filters
Vapor barrier plate included

Safety

- AquaStop Plus: Water supply device with lifetime anti-flood protection
- Child door lock

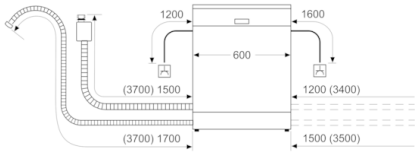
Appliance dimensions and weight

- Appliance dimensions (HxWxD): 81.5-87.5 cm x 59.8 cm x 55 cm
- Packaging dimensions (HxWxD): 87 cm x 64 cm x 67 cm
- Gross Weight: 35.9 kg

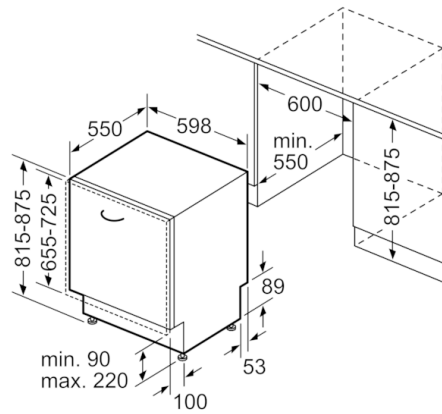
2 year warranty
www.bosch-home.co.nz/metapages/warranty

Serie | 4, Fully-integrated dishwasher, 60 cm SMV4HTX01A

measurements in mm



socket
() values with extension kit



measurements in mm