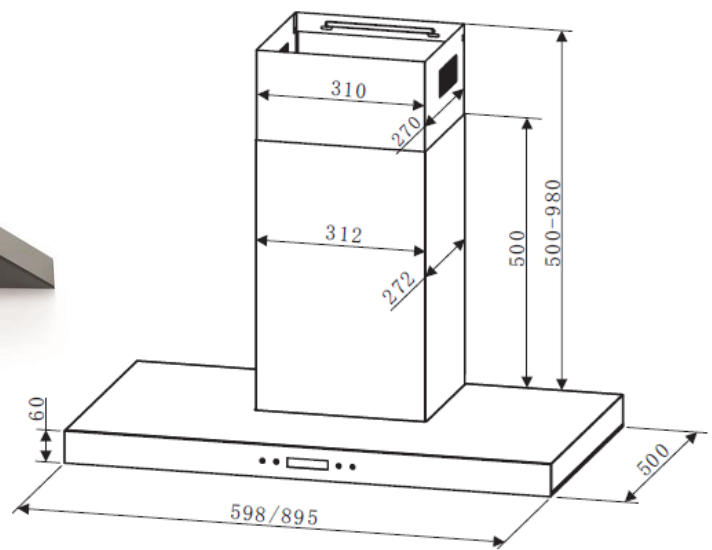


Description: **ROBINHOOD WALL CANOPY**
Model Number: **RWJ3CL9BK**



Typical design

Features and benefits

○ High performance extraction fan

High performance 1,000 M3/H extraction fan rapidly removes steam, smoke and cooking smells from your kitchen. Three-speed touch control switch lets you select the fan strength you need – half strength for steamed vegetables; full strength for stir fries.

○ LED Lamp

1x 7 watt LED lamp efficiently illuminates the entire cooking surface.

○ Multi-layered micromesh filters

Multi-layered micromesh aluminium filters effectively trap grease. They're simple to remove and are easily maintained with a regular clean in the dishwasher.

○ Rectilinear design

Simple styling makes cleaning easy. High quality stainless steel, glass and the fingertip controls are easy to clean with a damp cloth.

○ Thermal overload switch

Thermal overload function that senses extreme heat and disconnects power to the motor temporarily. If you have a cooking disaster, and something catches fire, the rangehood automatically switches off to prevent flames and sparks being sucked into the ducting or ceiling.

○ Recirculation option

In situations where ducting isn't possible, your rangehood can be fitted with charcoal filters that effectively cleanse the air before returning it to the kitchen.

Specifications

Technical data:

- 3 speed centrifugal motor
- 1 x 7 Watt LED lamp
- Maximum power consumption: 265 watts
- Gauge of steel: 0.5 mm
- Type of steel: 430 stainless steel
- Finish of steel : brush number 4
- 240 Volt. 50 Hertz. 265 Watt Max.
- Tested to EMC AS/NZS CISPR14.1:2010
- Electrical approval: AS/NZS 60335.2.31:2013
- Performance tested to IEC61591 (replaces AS2682-1984)
- Filter specifications: 2x four layered micro mesh aluminium filters
- Length of power cord: 1800mm
- Ducting outlet: 150mm diameter round outlet – top ducting
- Recirculation option through top duct outlet

Gross weight: RWJ3CL9BK: 27kg

Carton volume: 0.221m³ (900 model)

Carton dimensions : 955mm x 410mm x 565mm (900 model)

Rangehood dimensions: 895mm x 500mm x 560-1040mm (900 model)

Performance data:

- RWJ3CL9BK

Fan speed 1	491 m ³ /hr
Fan speed 2	682 m ³ /hr
Fan speed 3	857 m ³ /hr
Noise speed 1	50 dB
Noise speed 2	58 dB
Noise speed 3	62 dB

New Zealand

Monaco Corporation Ltd
Telephone: (09) 415 6000
Facsimile: (09) 415 7400
Email: enquiries@robinhood.co.nz
www.robinhood.co.nz

Australia

Shriro Australia Pty Ltd
ABN 28 002 386 129
Telephone: 1800 648 556
Facsimile: 1800 628 577
Email: enquiries@robinhood.com.au
www.robinhood.com.au

