

Description

ROBINHOOD 90CM WALL CANOPY DC MOTOR

RWE3CL9SSDC (Stainless Steel); RWE3CL9MBDC (Matte Black)



RWE3CL9SSDC



RWE3CL9MBDC

Key Features

Motor Type

DC Motor

Max Motor Performance

700 m³/hr

Power Levels

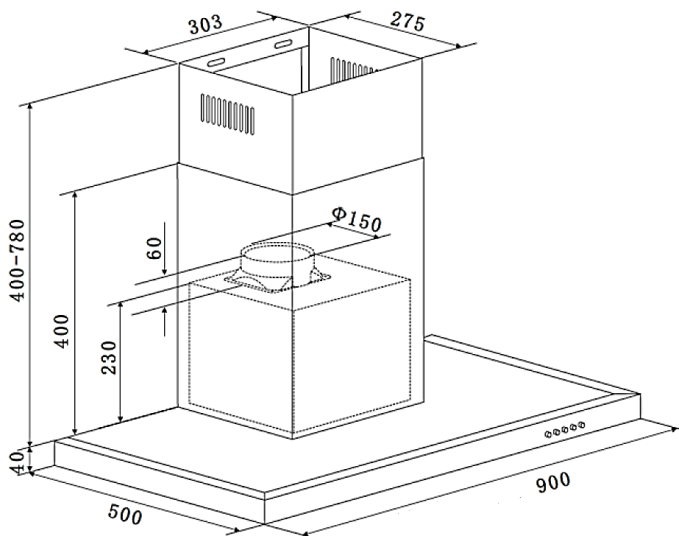
3

Control Type

Backlit Buttons

Light

2 x 1.5W LED



Dated 20/05/2022

Specifications

Voltage	220~240v
Frequency	50~60Hz
Motor Type/ Power	DC motor/ 81W
Energy Efficiency Index (EEI)	A+
Max Motor Performance	700 m ³ /hr
Power Levels	3
Control Type	Backlit buttons
Light/ Colour Temperature	2 x 1.5W LED/ 6500K
Filter	3 x S/S decorative aluminium filters
Recirculating Mode	Yes, optional charcoal filter RHCF115
Ducting Outlet	Ø150mm
Power Cord Length	1.8m
Optional Extension Flue Kit	RWE3CL9SSDC: 2611(1420mm); 2612 (2100mm) RWE3CL9MBDC: 2611MB(1420mm)
Product Dimensions (WxDxH)	900 x 500 x (440-820)mm
Carton Dimensions (WxDxH)	960 x 370 x 570mm
Gross/ Net Weight	16.3/12.6Kg

Air Flow & Noise Level*		
Power Level	Air Flow (m ³ /hr) (IEC 61591)	Noise Level (dB) (IEC 60704-2-13)
1	205	31
2	414	46
3	615	53

*Air Flow & Noise Level testing is conducted in a controlled lab environment as per the IEC standards.