

Description

ROBINHOOD POWERPACK DC MOTOR 90CM GESTURE CONTROL
 RPG3CL90BK (Black Glass); RPG3CL90WH (White Glass)



RPG3CL90BK



RPG3CL90WH

Key Features

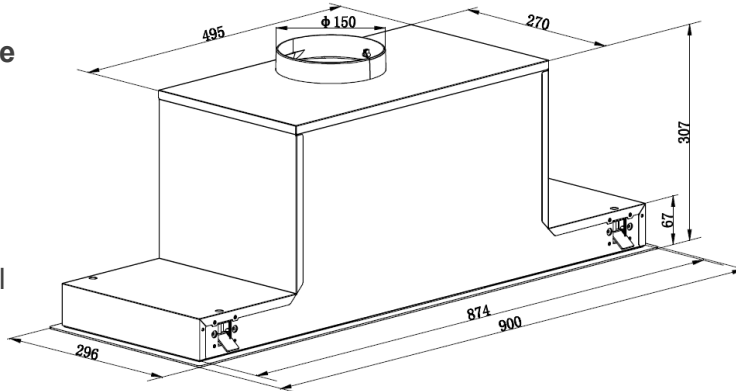
Motor Type
DC Motor

Max Motor Performance
850 m³/hr

Power Levels
3

Control Type
Touch & Gesture Control

Light
2 x 1.5W LED Strips



Dated 23/05/2022

Specifications

| | |
|--------------------------------------|-------------------------------|
| Voltage | 220~240v |
| Frequency | 50~60Hz |
| Motor Type/ Power | DC motor/ 143W |
| Energy Efficiency Index (EEI) | A++ |
| Max Motor Performance | 850 m ³ /hr |
| Power Levels | 3 |
| Control Type | Touch & gesture control |
| Light/ Colour Temperature | 2 x 1.5W LED/ 6500K |
| Filter | 1 x 3 layers aluminium filter |
| Optional Charcoal Filter | Yes. ATCF110 |
| Ducting Outlet | Ø150mm |
| Power Cord Length | 1.5m |
| Product Dimensions (WxDxH) | 900 x 296 x 307mm |
| Carton Dimensions (WxDxH) | 955 x 375 x 355mm |
| Cut-out Size (WxD) | 880 x 275mm |
| Gross/ Net Weight | 15.5/13.5Kg |

| Power Level | Air Flow & Noise Level* | |
|-------------|--|--------------------------------------|
| | Air Flow (m ³ /hr) (IEC 61591) | Noise Level (dB) (IEC 60704-2-13) |
| 1 | 220 | 38 |
| 2 | 600 | 54 |
| 3 | 825 | 63 |

*Air Flow & Noise Level testing is conducted in a controlled lab environment as per the IEC standards.