

## Description

ROBINHOOD POWERPACK 70CM STAINLESS STEEL/ MATTE BLACK  
**RPC3CL70SS/MB**



## Key Features

### Motor Type & Max Motor Performance

DC Motor & 700m<sup>3</sup>/hr

### Power Level

3

### Light

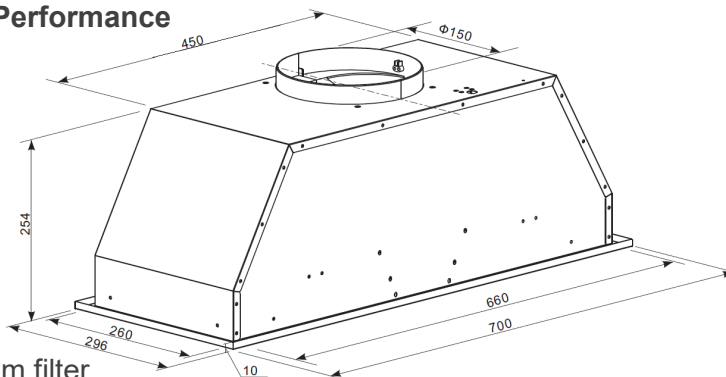
2 x 1.5W LED

### Filter

1 x S/S decorative Aluminum filter

### Additional Face Plate

1 x Matte Black face plate included



Dated 20/05/2022

## Specifications

<b>Voltage</b>	220~240v
<b>Frequency</b>	50~60Hz
<b>Motor Power</b>	80W
<b>Max Motor Performance</b>	700 m <sup>3</sup> /hr
<b>Light</b>	2 x 1.5W LED
<b>Control Type</b>	Backlit buttons
<b>Power Levels</b>	3
<b>Filter</b>	1 x S/S decorative Aluminum filter
<b>Installation Type</b>	Ducted (recommended) or recirculated with optional charcoal filter
<b>Ducting Outlet Diameter</b>	Ø150mm
<b>Chimney</b>	No chimney
<b>Product Dimensions (WxDxH)</b>	700x296x254mm
<b>Packaging Dimensions (WxDxH)</b>	745x360x365mm
<b>Cut Out Size (WxD)</b>	660x260mm
<b>Gross/Net Weight</b>	8.2/6.8Kg

Power Level	Air Flow & Noise Level*	
	Air Flow (m <sup>3</sup> /hr) (IEC 61591)	Noise Level (dB) (IEC 60704-2-13)
1	205	31
2	414	46
3	615	53

\*Air Flow & Noise Level testing is conducted in a controlled lab environment as per the IEC standards.