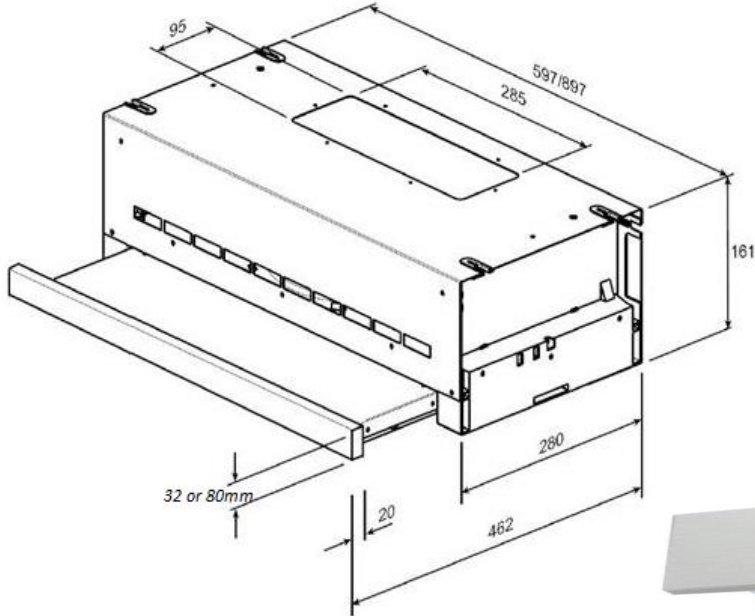


Description: **ROBINHOOD SLIDEOUT**
Model Number: **RO61SS/WH/80, RO91SS/WH/80**

Typical design



Features and benefits

High performance extraction fan

High performance extraction fan rapidly removes steam, smoke and cooking smells from your kitchen. Three-speed switch lets you select the fan strength you need – half strength for steamed vegetables; full strength for stir fries.

Halogen lamps

50 watt halogen lamps illuminate the entire cooking surface. Lamps are quick and easy to replace.

Multi-layered micromesh filters

Multi-layered micromesh filters effectively trap grease. They're simple to remove and are easily maintained with a regular clean in the dishwasher.

Rectilinear design

Simple styling makes cleaning easy. High quality stainless steel or powder coated steel and the fingertip controls are easy to clean with a damp cloth.

Thermal overload switch

Thermal overload function that senses extreme heat and disconnects power to the motor temporarily. If you have a cooking disaster, and something catches fire, the rangehood automatically switches off to prevent flames and sparks being sucked into the ducting or ceiling.

Recirculation option

In situations where ducting isn't possible, your rangehood can be fitted with charcoal filters that effectively cleanse the air before returning it to the kitchen.

Specifications

Technical data:

- 2 speed axial motor
- 2 x 50 Watt halogen lamps
- Gauge of steel: 0.6 mm
- Type of steel: panel steel
- Finish of steel (RO61SS/WH/80, RO91SS/WH/80): powder coated matt black body, stainless steel handle
- Finish of steel (RO61SS/WH/80, RO91SS/WH/80): powder coated appliance white
- 230-240 Volt. 50 Hertz. 160 Watt Max.
- Tested to EMC AS/NZS4417
- Electrical approval: AS3310-1992
- Performance tested to IEC61591
- Filter specifications: three layered micro mesh
- Length of power cord: 1200mm
- Ducting outlet: 285 x 95mm top or rear
- Recirculation option through front grille (use 80mm SS or WH rail option)
- Ducting option to exterior (use 32mm SS or WH rail option and keep front grilles covered with pre-installed tape)

Gross weight: 6.5kg (600 model), 8.7kg (900 model)

Carton volume: 0.044m³ (600 model), 0.064m³ (900 model)

Carton dimensions : 340 x 200 x 640mm (600 model), 340 x 200 x 935mm (900 model),
366 x 195 x 635mm (RO61SS/WH/80 model)

Rangehood dimensions: 280 x 161 x 597mm (600 model), 280 x 161 x 897mm (900 model)

Performance data:

Gross	397m ³ /hr
Nett Fan speed 1	243m ³ /hr
Nett Fan speed 2	340m ³ /hr
Noise speed 1	56dB
Noise speed 2	62dB

New Zealand

Monaco Corporation Ltd
Telephone: (09) 415 6000
Facsimile: (09) 415 7400
Email: enquiries@robinhood.co.nz
www.robinhood.co.nz

Australia

Shriro Australia Pty Ltd
ABN 28 002 386 129
Telephone: 1800 648 556
Facsimile: 1800 628 577
Email: enquiries@robinhood.com.au
www.robinhood.com.au

