

## Description

ROBINHOOD 60CM CURVED GLASS WALL CANOPY  
**RHWC60TG (ADONIS 60)**



## Key Features

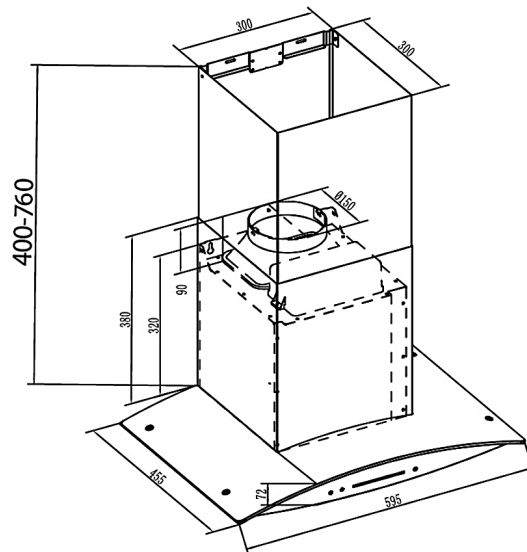
**Max Motor Performance**  
 1200 m<sup>3</sup>/hr

**AC Motor**  
 Fully sealed AC motor in weldless casing

**Metal Fan Blades**  
 With Teflon finish to ensure smooth air flow

**Slide/Touch Control**  
 User friendly control enables easy operation

**Lower Noise Level**  
 46dB at power level 1



## Specifications

### AESTHETICS

Rangehood Type	Wall Canopy
Finish	Stainless Steel + Black Curved Glass
Filter Type	Decorative SS/Aluminium Filters
No. of Filters	2
Light	2 * 2W LED

### TECHNICAL DETAILS

Power Levels	3 + Intensive
Motor Wattage	180W
Voltage/Frequency	240V/50Hz
Total Power Consumption	184W
Plug	Fitted, 10AMP

### DUCTING

Ducting Diameter	Ø150mm
Ducting Type	Can be ducted or recirculated
Optional Charcoal Filter	CARBONFTLDEEU (Pack of 2) EXTKITDEEU27 (For 2.7m stud) EXTKITDEEU30 (For 3.0m stud)

### DIMENSIONS & WEIGHTS

Chimney Size (W*D*H)	300*300*(400-760)mm
Product Dimensions (W*D*H)	595*455*(472-832)mm
Carton Dimensions (W*D*H)	655*530*530mm
Net/Gross Weight	18.5/20.5Kg

IEC 61591 Test Data		
Power Level	Air Flow (m <sup>3</sup> /hr)	Noise Level (dB)
1	520	46
2	633	51
3	819	55
Intensive	965	61