

Serie | 8, Induction hob, 80 cm, Black PXY875KW1E



Included accessories

1 x adjustment strip 750 - 780 mm

- **TFT-touchdisplay:** Clear text and pictures allow simple operation of the integrated touchdisplay.
- **Expanded FlexInduction Zone:** Even more flexibility by connecting the cooking zones into one big zone, which you can make even larger for the big pots.
- **PerfectCook:** the sensor prevents overcooking and boiling over by precise controlling of the cooking temperature.
- **MoveMode:** the automatic setting of cooking levels allows fast boiling on the front, cooking on the middle and simmering on the rear cooking zone.
- **PerfectFry:** For perfect browning of roasted foods thanks to the sensor control with 5 power levels.

Technical Data

Product name/family :	Cooking zone ceramic
Construction type :	Built-in
Energy input :	Electric
Total number of positions that can be used at the same time :	4
Required niche size for installation (HxWxD) :	51 x 750-780 x 490-500
Width of the appliance :	816
Dimensions :	51 x 816 x 527
Dimensions of the packed product (HxWxD) (mm) :	126 x 953 x 603
Net weight (kg) :	17.490
Gross weight (kg) :	18.9
Residual heat indicator :	Separate
Location of control panel :	Hob front
Color of surface :	Black
Approval certificates :	AENOR, CE
Length electrical supply cord (cm) :	110
EAN code :	4242002949147
Electrical connection rating (W) :	7400
Voltage (V) :	220-240
Frequency (Hz) :	50; 60



Serie | 8, Induction hob, 80 cm, Black PXY875KW1E

- 80 cm: space for 4 pots or pans.

Design

- Stainless steel side trims with bevelled front.

Flexibility of cooking zones

- 2 Flex Induction zones + extension zone: use cookware of any shape or size anywhere within the 40cm long zone or even place it laterally.
- Cooking zone front left: 230 mm, 200 mm, 2.2 KW (max. power 3.7 KW)
- Cooking zone rear left: 230 mm, 200 mm, 2.2 KW (max. power 3.7 KW)
- Cooking zone rear right: 230 mm, 200 mm, 2.2 KW (max. power 3.7 KW)
- Cooking zone front right: 230 mm, 200 mm, 2.2 KW (max. power 3.7 KW)

Comfort & Convenience

- Easy to operate TFT touch display - easy to explore all available functions thanks to full-text information and images.
- 17 power levels: precisely adapt the heat with 17 power levels (9 main levels and 8 intermediate levels).
- Keep warm function: keep dishes warm at preset low power level.
- Timer with automatic switch off for all zones
 - : switches off the cooking zone at the end of the time set (e.g. for boiled eggs).
- Alarm clock
 - : an alarm sounds at the end of the time set (e.g. for pasta).
- count-up timer, per cooktop
 - : shows how much time has passed since starting the timer (e.g. for potatoes).

Time saving & Efficiency

- PowerBoost: rapid heating for large pots of water, automatically turns off right on time to prevent overheating
 - : boil water more quickly thanks to 50% more energy than at the highest standard level.
- PanBoost: heat up pans more quickly than at the highest standard level while protecting the pan coating.
- When moving a pot to a different cooking zone, transfer all previous settings to the new zone at the touch of a button.
- QuickStart: Quick and automatic first pot detection: when switching on, the hob automatically selects the cooking zone with cookware (placed in off-mode).
- ReStart function: in case of unintentional switch-off, restore all previous settings by switching on the cooktop again within 4 seconds.

Cooking Assistance

- BoschAssist: easily find the right temperature setting for a certain dish in the touch display.
- PerfectCook sensor ready (sensor sold separately) prevents overboiling of pots with the automatic temperature regulation of the sensor (attached to the pot).
- 5 frying and 5 cooking levels
 - : prevents overcooking with the automatic temperature regulation of the integrated sensor.

Connectivity

- HomeConnect enabled: check if the cooktop is switched off even when not at home, and find recipes or additional functions in the Home Connect app. www.home-connect.co.nz
- Cooktop to Hood: automatically activates the hood when cooking, thanks to the WiFi connection of hob and suitable hood.

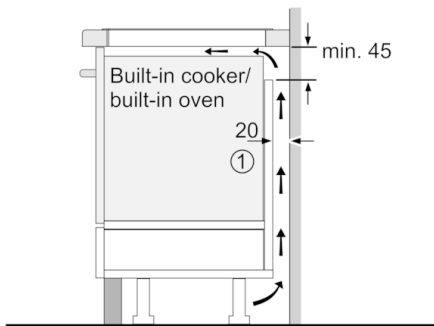
Safety

- Digital 2 stage residual heat indicator: indicates which cooking zones are still hot or warm.
- Childproof lock: prevent unintended activation of the hob.
- WipeProtection: wipe overboiled liquids without unintentionally changing settings (blocking all touch buttons for 30 seconds).
- Automatic Safety switch-off: for safety reasons, heating stops after a preset time without interaction (customizable).
- Energy consumption: shows the electricity consumption of the last cooking process.

Installation

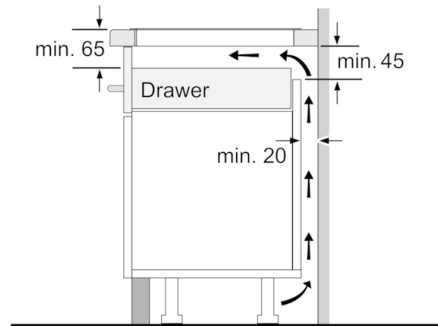
- Dimensions of the product (HxWxD mm): 51 x 816 x 527
- Required niche size for installation (HxWxD mm) : 51 x 750 x (490 - 500)
- Min. worktop thickness: 16 mm
- Connected load: 7.4 KW
- Power cord: 1.1 m, loose insert in packaging

Serie | 8, Induction hob, 80 cm, Black PXY875KW1E

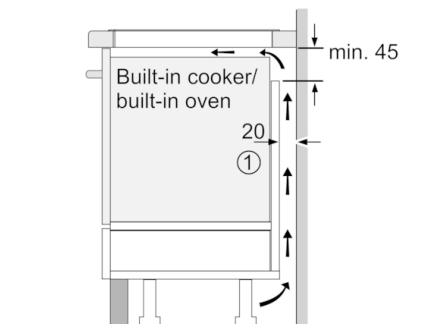
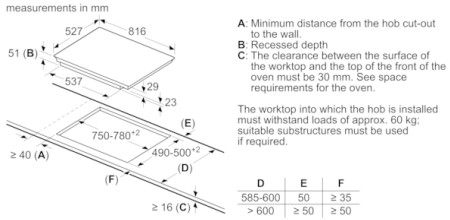


①
Ventilation gap must
be present

All measurements in mm



Measurements in mm



①
Ventilation gap must
be present

All measurements in mm

