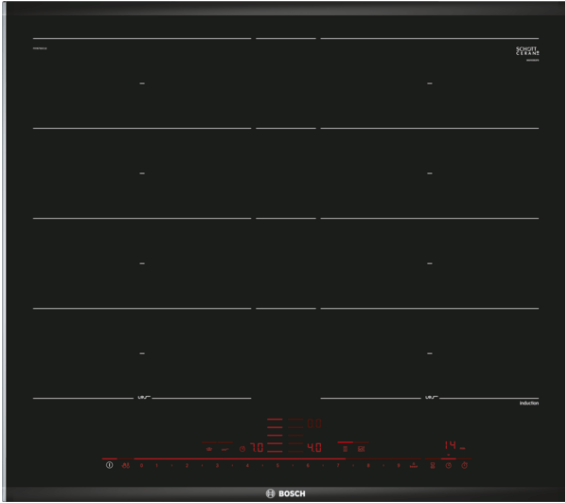


**Serie | 8, Induction hob, 60 cm, Black
PXY675DC1E**



The induction hob with PerfectFry: achieve perfect frying results thanks to automatic temperature control.

- **ChildLock:** locks the control panel to prevent accidental changes in settings.
- **Ceramic glass surface:** highly heat-resistant as well as easy to clean.
- **DirectSelect Premium:** Direct, simple selection of the desired cooking zone, power and additional functions.
- **PerfectFry:** For perfect browning of roasted foods thanks to the sensor control with 5 power levels.
- **Induction:** Fast, precise cooking, easy cleaning and low energy consumption.

Technical Data

Product name/family :	Cooking zone ceramic
Construction type :	Built-in
Energy input :	Electric
Total number of positions that can be used at the same time :	4
Required niche size for installation (HxWxD) :	51 x 560-560 x 490-500
Width of the appliance :	606
Dimensions :	51 x 606 x 527
Dimensions of the packed product (HxWxD) (mm) :	126 x 753 x 603
Net weight (kg) :	16.139
Gross weight (kg) :	17.3
Residual heat indicator :	Separate
Location of control panel :	Hob front
Basic surface material :	Ceramic
Color of surface :	Black
Approval certificates :	AENOR, CE
Length electrical supply cord (cm) :	110
EAN code :	4242002848945
Electrical connection rating (W) :	7400
Voltage (V) :	220-240
Frequency (Hz) :	60; 50



Serie | 8, Induction hob, 60 cm, Black PXY675DC1E

The induction hob with PerfectFry: achieve perfect frying results thanks to automatic temperature control.

Design

- Stainless steel side trims with bevelled front.
- Can be combined with all hobs in comfort design

Comfort & Convenience

- 4 induction cooking zones
- 17 power levels
- 1 x Ø 380 mmx230 mm, 3.3 KW (max. Power level 3.7 KW) Induction, or 2 x Ø 230 mm, 2.2 KW (max. Power level 3.7 KW) Induction, plus 1 x Ø 230 mm, 190 mm Induction
- Electronic display
- Timer with automatic switch off for all zones, Alarm clock, count-up timer, per cooktop

Safety and Environment

- 2 stage residual heat indicator for each zone
- Automatic pan recognition sensor
PowerManagement Function
Automatic Safety switch-off
Childproof lock
WipeProtection
- Spill protection: a built-in overflow container accessed beneath the cooktop that collects any spills that enter the ventilator compartment (can be easily emptied).

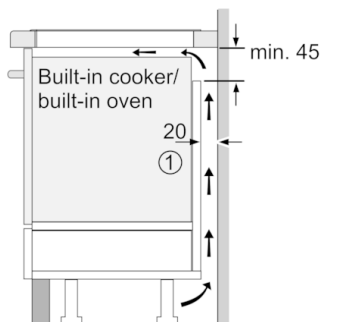
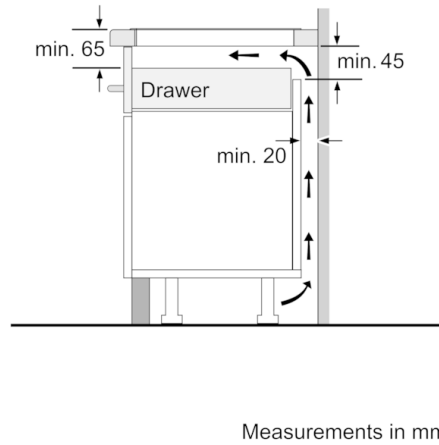
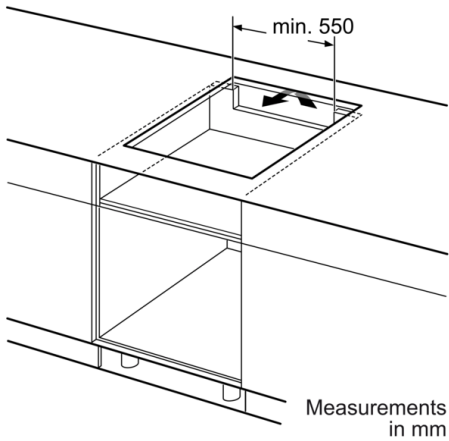
Cooktop type and Special Features

- HighSpeed ceramic glass
- PowerBoost: rapid heating for large pots of water, automatically turns off right on time to prevent overheating
- PerfectFry sensor with 5 temperature settings

Size & Power

- 7.4 KW total connected load
- Appliance: 606 x 527 mm
- Min. worktop thickness: 16 mm

**Serie | 8, Induction hob, 60 cm, Black
PXY675DC1E**



① Ventilation gap must be present

All measurements in mm

