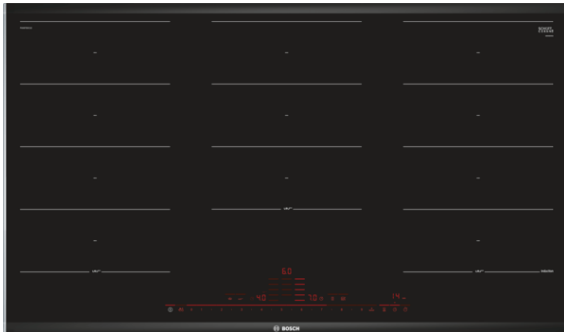


**Serie | 8, Induction hob, 90 cm, Black  
PXX975DC1E**



**The induction hob with PerfectFry: achieve perfect frying results thanks to automatic temperature control.**

- **ChildLock:** locks the control panel to prevent accidental changes in settings.
- **Ceramic glass surface:** highly heat-resistant as well as easy to clean.
- **DirectSelect Premium:** Direct, simple selection of the desired cooking zone, power and additional functions.
- **PerfectFry:** For perfect browning of roasted foods thanks to the sensor control with 5 power levels.
- **FlexInduction Zone:** Get more flexibility by combining the cooking zones into one big zone for placing small pots and large cookware.

**Technical Data**

Product name/family :	Cooking zone ceramic
Construction type :	Built-in
Energy input :	Electric
Total number of positions that can be used at the same time :	5
Required niche size for installation (HxWxD) :	51 x 880-880 x 490-500
Width of the appliance :	916
Dimensions :	51 x 916 x 527
Dimensions of the packed product (HxWxD) (mm) :	126 x 1073 x 603
Net weight (kg) :	20.913
Gross weight (kg) :	22.7
Residual heat indicator :	Separate
Location of control panel :	Hob front
Basic surface material :	Ceramic
Color of surface :	Black
Approval certificates :	AENOR, CE
Length electrical supply cord (cm) :	110
EAN code :	4242002861753
Electrical connection rating (W) :	11100
Voltage (V) :	220-240
Frequency (Hz) :	50; 60



## Serie | 8, Induction hob, 90 cm, Black PXX975DC1E

**The induction hob with PerfectFry: achieve perfect frying results thanks to automatic temperature control.**

---

### Design

- Stainless steel side trims with bevelled front.
- Can be combined with all hobs in comfort design

### Comfort & Convenience

- 5 Induction cooking zones
- Cooking zones:
  - 1 x Ø 400 mmx240 mm, 3.3 KW (max. Power level 3.7 KW)  
Induction or 2 x Ø 200 mm, 2.2 KW (max. Power level 3.7 KW)  
Induction;
  - 1 x Ø 300 mmx240 mm, 2.6 KW (max. Power level 3.7 KW)  
Induction;
  - 1 x Ø 400 mmx240 mm, 3.3 KW (max. Power level 3.7 KW)  
Induction or 2 x Ø 200 mm, 2.2 KW (max. Power level 3.7 KW)  
Induction
- Electronic display
- 17 power levels
- Timer with automatic switch off for all zones, Alarm clock, count-up timer, per cooktop
- Automatic pan recognition sensor
  - PowerManagement Function
  - Automatic Safety switch-off
  - Childproof lock
  - WipeProtection
- 2 stage residual heat indicator for each zone
- Spill protection: a built-in overflow container accessed beneath the cooktop that collects any spills that enter the ventilator compartment (can be easily emptied).

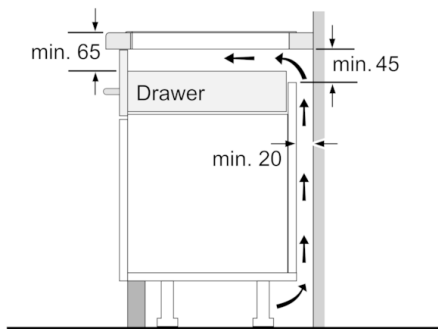
### Size & Power

- 11.1 KW total connected load
- Appliance: 916 x 527 mm
- Min. worktop thickness: 16 mm

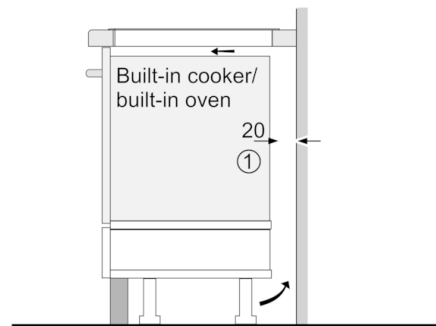
### Cooktop type and Special Features

- HighSpeed ceramic glass
- PerfectFry sensor with 5 temperature settings
- PowerBoost: rapid heating for large pots of water, automatically turns off right on time to prevent overheating

## Serie | 8, Induction hob, 90 cm, Black PXX975DC1E

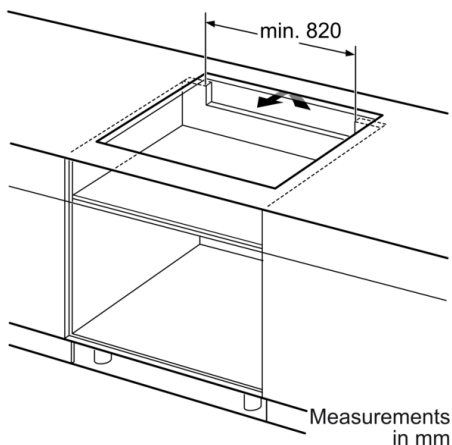


Measurements in mm

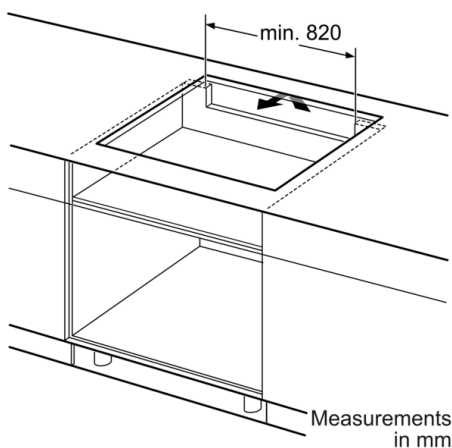
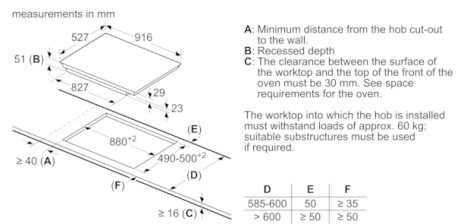


①  
Ventilation gap must be present.

Measurements in mm



Measurements in mm



Measurements in mm