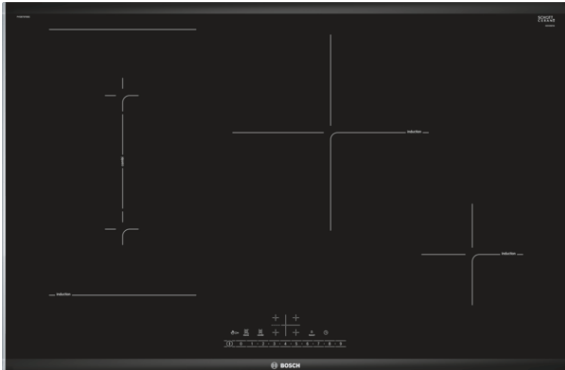


**Serie | 6, Induction hob, 80 cm, Black  
PVS875FB5E**



**The Induction cooktop: Faster than gas and ceramic hobs, induction is easier to clean and more energy efficient.**

- **DirectSelect:** Direct, simple selection of the desired cooking zone, power and additional functions.
- **CombiZone:** More flexibility by combining two cooking zones with even heat distribution, for large roasters, pans and griddle plates.
- **PowerBoost:** Up to 50% more power for faster heating.
- **ChildLock:** locks the control panel to prevent accidental changes in settings.
- **ReStart:** if something boils over, the cooktop automatically turns itself off and saves the last selected setting.

**Technical Data**

Product name/family :	Cooking zone ceramic
Construction type :	Built-in
Energy input :	Electric
Total number of positions that can be used at the same time :	4
Required niche size for installation (HxWxD) :	51 x 750-780 x 490-500
Width of the appliance :	816
Dimensions :	51 x 816 x 527
Dimensions of the packed product (HxWxD) (mm) :	126 x 953 x 608
Net weight (kg) :	15.030
Gross weight (kg) :	16.4
Residual heat indicator :	Separate
Location of control panel :	Hob front
Basic surface material :	Ceramic
Color of surface :	Black
Approval certificates :	AENOR, CE
Length electrical supply cord (cm) :	110
EAN code :	4242005098392
Electrical connection rating (W) :	7400
Voltage (V) :	220-240
Frequency (Hz) :	50; 60



4 242005 098392

## Serie | 6, Induction hob, 80 cm, Black PVS875FB5E

**The Induction cooktop: Faster than gas and ceramic hobs, induction is easier to clean and more energy efficient.**

---

### Design

- Stainless steel side trims with bevelled front.

### Speed

- PowerBoost: rapid heating for large pots of water, automatically turns off right on time to prevent overheating

### Comfort & Convenience

- Combi Induction. Each zone has 2 use options: 2 individual induction cooking zones or combine the front and rear zones together to form one large induction cooking zone
- 4 induction cooking zones
- DirectSelect Touch Controls
- Move function
- Electronic TouchControl display
- Timer with automatic switch off for all zones, Alarm clock
- QuickStart: Quick and automatic first pot detection
- ReStart function
- Automatic pan recognition sensor
- PowerManagement Function
- Automatic Safety switch-off
- Childproof lock
- WipeProtection

### Size & Power

- Cooking zones:
  - 1 x 380 mm x 210 mm, 3.6 KW Induction or 2 x 210 mm, 190 mm, 2.2 KW (max. power 3.7 KW) Induction;
  - 1 x Ø 280 mm, 2.6 KW (max. power 3.7 KW) Induction;
  - 1 x Ø 145 mm, 1.4 KW (max. power 2.2 KW) Induction
- 17 power levels

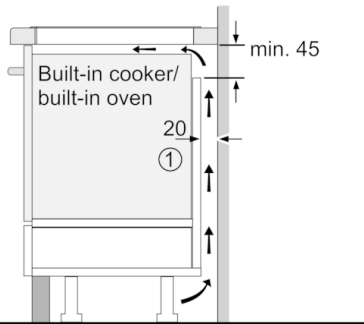
### Safety and Environment

- 2 stage residual heat indicator for each zone
- Spill protection: a built-in overflow container accessed beneath the cooktop that collects any spills that enter the ventilator compartment (can be easily emptied).
- 7.4 KW total connected load

### Dimensions

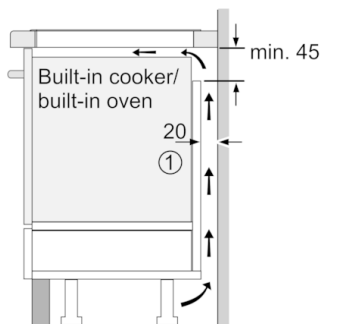
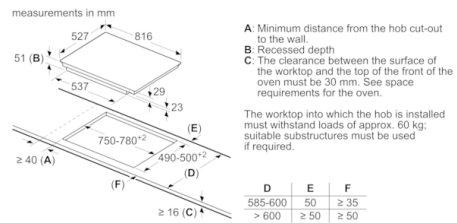
- Installation dimensions: (H/W/D) 51 mm x 750 mm x 490 mm
- Appliance dimensions: (W/D) 816 mm x 527 mm
- Min. worktop thickness: 16 mm

## Serie | 6, Induction hob, 80 cm, Black PVS875FB5E



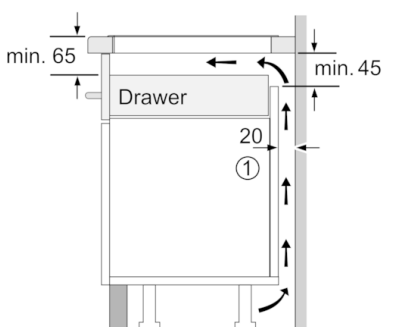
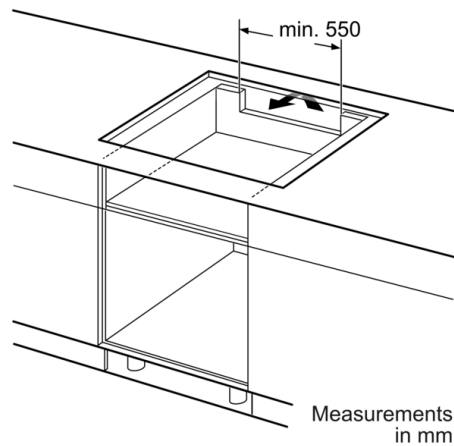
①  
Ventilation gap must  
be present

All measurements in mm



①  
Ventilation gap must  
be present

All measurements in mm



①  
Ventilation gap must  
be present.

Measurements in mm