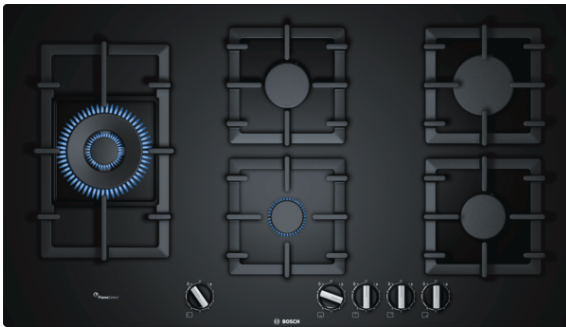


**Serie | 6, Gas hob, 90 cm, Tempered glass
PPS9A6B90A**



Included accessories

- 1 x cross support for espresso
- 1 x WOK attachment ring

The tempered-glass gas cooktop with FlameSelect: achieve perfect cooking results thanks to nine precisely defined power levels.

- **FlameSelect:** for a precise adjustment of the flame in nine defined levels.
- **Standard and semi-flush built-in option:** choose between flush or slightly raised installation.
- **Surface colour:** elegant black tempered-glass design.
- **Semi-continuous cast-iron pan support:** for high stability and easy cleaning.
- **Sword knobs:** for an ergonomic control.

Technical Data

Product name/family :	gas hob w integrated controls
Construction type :	Built-in
Energy input :	Gas
Total number of positions that can be used at the same time :	5
Type of control setting devices :	sword knobs
Required niche size for installation (HxWxD) :	45 x 850-852 x 490-502
Width of the appliance :	915
Dimensions :	45 x 915 x 520
Dimensions of the packed product (HxWxD) (mm) :	165 x 1116 x 659
Net weight (kg) :	22.803
Gross weight (kg) :	25.0
Residual heat indicator :	without
Location of control panel :	Hob front
Basic surface material :	Tempered glass
Color of surface :	Black
Color of frame :	Black
Approval certificates :	Australia Standards, Australia Standards
Length electrical supply cord (cm) :	150
EAN code :	4242002991481
Electrical connection rating (W) :	1
Gas connection rating (W) :	11500
Current (A) :	3
Voltage (V) :	220-240
Frequency (Hz) :	50; 60



Serie | 6, Gas hob, 90 cm, Tempered glass PPS9A6B90A

**The tempered-glass gas cooktop with
FlameSelect: achieve perfect cooking results
thanks to nine precisely defined power
levels.**

Design

- black Tempered Glass
- Frameless

Comfort & Convenience

- FlameSelect (9 steps)
- Sword control knobs
- One hand electronic ignition
- Cast iron separable w rub feet

Size & Power

- 5 Gas burners
- Dual wok burner
- 1 High-Speed, 2 Standard, 1 Economy, 1 Dual Wok burner
- Right rear: Wok burner up to 13 Mj/h
- Left: Wok burner up to 15 Mj/h (depending on gas type)
- Center rear: Standard burner up to 6.85 Mj/h
- Center front: Economy burner up to 4 Mj/h
- Right front: Standard burner up to 6.85 Mj/h

Safety and Environment

- Flame failure device fitted to each individual burner
- Preset of natural gas (20mbar)

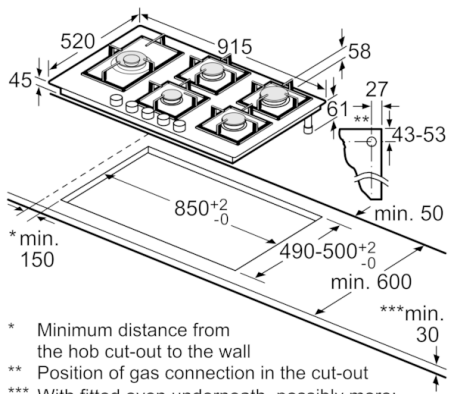
Dimensions

- Appliance dimensions: (W/D) 915 mm x 520 mm
- Installation dimensions: (H/W/D) 45 mm x 850 mm x 490 mm

Supplied Accessories

- Liquid gas nozzles (28-30/37mbar) included

**Serie | 6, Gas hob, 90 cm, Tempered glass
PPS9A6B90A**



- * Minimum distance from the hob cut-out to the wall
 - ** Position of gas connection in the cut-out
 - *** With fitted oven underneath, possibly more; see space requirements for the oven
- measurements in mm