



Installation and Operating Instructions

Models:

HO-1

HO-2

HO-6

HO-7



p: 09 573 5678
 f: 09 573 5699
 e: sales@parmco.co.nz
 w: www.parmco.co.nz



*Parmco Appliances
 extended 7 year
 warranty*

The Warranty:

- This appliance is intended for domestic use in the owners' home. Use of the appliance for commercial purposes will limit the warranty period (please see Parmco website for commercial details).
- Subject to the terms and conditions contained within this warranty, if the product is not of Acceptable Quality (as defined in the Consumer Guarantees Act) within 7 years of the date of original purchase, then Parmco Sales undertakes to repair or, at its sole discretion, replace the product.
- The warranty does not cover the costs of transport, mileage or travelling time if the product is located beyond 30km of a recognised Service Agent.
- This warranty is offered as an extra benefit, and does not affect other legal rights, which can not be modified or excluded by agreement.
- This warranty only applies to goods supplied and installed in the North and South Islands of New Zealand.
- The provisions of this warranty are in addition to the rights and remedies available to consumers under the Consumer Guarantees Act 1993.

Product _____ Date of purchase _____
 Serial Number _____
 Dealer / Retailers Name _____

 Please retain this Warranty card together with receipt or other proof of purchase date when seeking service during the warranty period

Please contact Parmco at 09 573 5678 if your appliance needs servicing under warranty. Please have your model number and proof of purchase ready. Warranty repairs must be authorized by Parmco.



The Warranty is not valid:

- If the product is not installed and operated in accordance with the operating instructions.
- If the product is not installed to comply with the electrical, gas, plumbing and other Regulations and Codes of Practice in New Zealand.
- If the product is operated on voltages or frequencies outside the normal range for domestic appliances in New Zealand.
- If the product is not used in normal domestic use, or if it is used in a business as defined in the Consumer Guarantees Act.
- If any serial number has been removed or defaced.
- If proof of date of purchase is not supplied, except at the sole discretion of Parmco Sales. Proof of purchase can be for the product itself, or if installed with a kitchen or house then proof of purchase can be from a Parmco reseller of products supplied by Parmco.
- If the products are purchased in a second hand condition from other parties (including but not limited to TradeMe, Sella, etc.)

Liability under this warranty will not be accepted for:

- Wear and tear caused by normal domestic use of the product.
- Damage in transport.
- Damage caused to the product by neglect, abuse, negligence, wilful act or misuse.
- Any costs associated with the repair, replacement, removal or reinstallation of products installed in a damaged condition.
- Any defect caused by accident, misuse, neglect, tampering with or unauthorised modifications of the appliance or any attempt at internal adjustment or repair by any person other than an Authorised Service Agent.
- Service calls that relate principally to the following:
 - Instruction on how to use the product.
 - Repair or replacement of house fuses, electrical wiring, gas fitting or plumbing.
 - Normal or scheduled maintenance including blocked filters or ducting.
 - Consumable items such as light bulbs.
 - Any damage to hobs caused by spills when cooking.
 - Any breakage or damage of glass items.
- Any damage caused by non recommended product used for cleaning, maintaining, lubricating or similar.
- Any aspect relating to the installation of the product, or damage caused during installation including blocked access for repair.
- Any third party (including reseller) or consequential loss or damage (direct or indirect) however arising.



PARMCO

Dear Valued Customer,

Thank you and congratulations on purchasing your new Parmco appliance.

All Parmco products are made to the highest quality and design standards. We are sure you will enjoy your new appliance.

As a note, please read through these instructions carefully. These will assist you in gaining a complete understanding of the functions and features offered by your appliance. Please take special note of all detailed technical information and installation instructions. It is essential that you follow these instructions to ensure the safety and reliability of this appliance.

Furthermore, not using appropriate personnel to install this appliance may affect any future warranty claims lodged, so please check with Parmco Appliances before any installation is carried out.

We hope you enjoy your new appliance. If you would like to find out more about this product or any other products in Parmco's extensive range, visit us online at www.parmco.co.nz.

Regards,

The Parmco Team



Cook



Vent



Clean



Cool



Laundry

Contents

User Instructions

For your safety	2
Description of the hob	4
Instructions for use	4
Cleaning and maintenance	6

Installation Instructions

Technical data.....	8
Instructions for the installation technician	9
Electrical connection.....	11
Adapting to the different types of gas	12
Building into fitted kitchen units.....	13
Installation options.....	14

Guide to reading the instructions

The following symbols will help you
When reading the instructions:



Safety information



“Step by step” instructions



Suggestions and Advice



Information concerning environmental protection

This appliance complies with the following EEC Directives:



- 73/23 and 90/683 (relating to Low Voltage);
 - 89/336 (relating to Electromagnetic Compatibility);
 - 90/396 (relating to Gas Appliances);
 - 93/68 (relating to the General Standards);
- and subsequent amendments.



For Your Safety

This manual includes important safety instructions. We recommend to read this manual carefully before installing and using the appliance. Keep this manual for future reference. If the appliance is moved, make sure the manual is handed over to the new user.

Installation

- Prior to installation, ensure that the local distribution conditions (nature of the gas and gas pressure) are compatible with the adjustment of the appliance.
- This appliance is not connected to a combustion products evacuation device. It shall be installed and connected in accordance with current installation regulations, with particular attention to the relevant ventilation requirements.
- Installation of the appliance and its connection to the electrical mains must only be carried out by a QUALIFIED PERSONNEL. Before any procedure, it is important to check that the appliance is DISCONNECTED from the electrical mains.
- Do not attempt to modify the characteristics of this product to avoid personal injuries, damages or void the warranty.
- After removing the appliance from the packaging, make sure that it is undamaged and that the electrical lead is in perfect condition. Otherwise, contact your dealer before putting the appliance into operation.
- The Manufacturer declines all responsibility in the case of failure to comply with accident prevention regulations.
- Make sure that air is able to circulate freely around the appliance. Poor ventilation results in a shortage of oxygen.
- Make sure that the appliance is supplied with the type of gas indicated on the data plate on the appliance.
- The adjustment conditions for this appliance are stated on the data plate.
- Use of a gas cooking appliance produces heat and moisture in the room in which it is installed. Ensure that the room is well ventilated by keeping the air intakes open and in good working order or by installing an extractor hood with a discharge pipe.
- If the appliance is used intensively for a long period of time, the effectiveness of the ventilation will have to be increased, for example, by opening a window or increasing the power of any electric extractor fan.

During use

- This product is designed to cook foods inside domestic homes and for non-professional purposes. It should not be used for any other purpose.
- After using the appliance, make sure that all controls are in the “CLOSED” or “OFF” position.
- If you use an electrical socket close to this appliance, take care that the cables of the appliances you are using are far away from the hot parts of this appliance.

Children's safety

- This appliance must only be used by adults. Make sure that children do not touch the controls or play with the appliance.
- The exposed parts of this appliance heat up during cooking and remain hot for some time even after it is switched off. Keep children well away until the appliance has cooled down.

Cleaning and maintenance

- Keep the appliance thoroughly cleaned. Food residues may cause fire risks.

Service and parts

- If malfunctions occur do not attempt to repair the appliance yourself. First refer to the troubleshooting section of this manual. If you do not find the necessary information, contact a service agent or the Parmco's Service Department. Servicing work on this appliance must be carried out by a qualified technician only. Always request the use of original spare parts.

Environmental protection advice

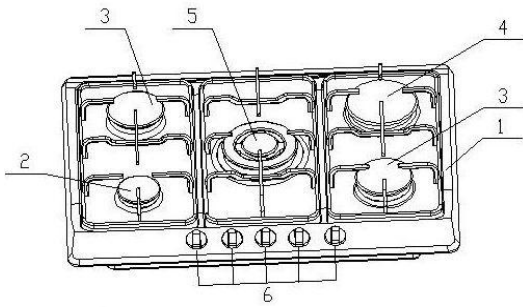
- All the materials used are environmentally compatible and recyclable. Please make your contribution to conserving the environment by using the separate waste collection channels available.

Decommissioned appliances

- Appliances which are no longer used or usable are not worthless waste. Through environmentally friendly disposal, a number of materials used in the production of your appliance can be recovered.
- Find out about the current disposal options from your local city council.
- Before scrapping the appliances, cut the power supply lead and make it unusable.

When installing a rangehood above a gas appliance, all relevant New Zealand building, installation and regulation standards must be adhered to.

Description of the hob





1. Hob
2. Auxiliary burner
3. Semi-rapid burner
4. Rapid burner
5. Triple flame burner (Wok)
6. Burner control knobs
7. Hot plate
8. Indicator light


Instructions for use

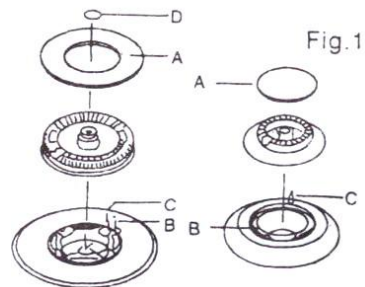
The hob control knobs

The symbols on the control knobs mean the following:

- no gas flow
-  maximum gas flow
-  minimum gas flow





All operating positions must be set between the maximum and minimum flow settings, and never between the maximum setting and the closed position.

 (Symbol present on versions with lighting integrated in the control knob)



- A – Burner cap
- B – Lighting plug
- C – Thermocouple
- D – Triple flame cap

Dual triple flame version

- no gas flow
-  maximum gas flow from central burner
-  minimum gas flow from central burner
-  maximum gas flow from outer and central burners simultaneously
-  minimum gas flow from outer and central burners simultaneously

Lighting the burners



To obtain a flame more easily, light the burner before placing a cooking utensil on the pan stand.



To light a burner, proceed as follow: for versions with lighting integrated in the control knob: push the knob of the burner fully down and turn it anti-clockwise to the “maximum flow” setting symbol, or press the button if the appliance has individual lighting.

- After lighting the flame, keep the knob pressed for about 10 seconds: this time is necessary to heat up the “thermocouple” (Fig.1-C) and activate the safety valve, which would otherwise cut off the gas flow.



Then check the flame is even and turn the control knob to adjust the it if required.

In the instance of a power cut, place a flame near the burner and proceed as described above. If the flame does not light after a few attempts, check that the “burner cap” and “flame cap” are correctly positioned.

To turn off the flame, turn the control knob clockwise to the ● symbol.

Before removing pans from the burners, always lower or turn off the flame.

For correct use of the hob

For lower gas consumption and better efficiency: Use only pans that are stable and fit for use on the burners, with dimensions as shown in the table below. It is recommended to use a wok trivet when using the wok burner (triple flame) to ensure there is sufficient oxygen to the flame. Failing to do so may cause damage to burner components. In addition, as soon as liquid comes to the boil, take care to turn the flame down to a level that will just keep it boiling.

Burner	Minimum diameter	Maximum diameter
Large (rapid)	180mm	220mm
Medium (semi-rapid)	120mm	200mm
Small (auxiliary)	100mm	160mm
Triple flame	220mm	260mm



During cooking processes involving fats or oils, watch your foods carefully as these substances may catch on fire if brought to high temperatures.

Cleaning and maintenance

Before each operation, disconnect the appliance from the electrical mains and allow it to cool down.

General cleaning

- Wash enameled parts with lukewarm water and detergent: do not use abrasive products that might damage them.
- Wash the flame caps and burner caps often with boiling water and detergent, taking care to remove all deposits.
- The hob pan stands can be washed in a dishwasher.
- For stubborn dirt, use ordinary non-abrasive detergents or specific commercial products. We strongly advise you not to use scouring pads, steel wool or acids for cleaning.

Hob

Clean the hob regularly with a soft cloth wet with lukewarm water and a little liquid detergent. Do not use the following products:

- household detergents or bleaches
- soaped scouring pads not suitable for non-stick utensils
- steel wool scouring pads
- stain removers for baths or sinks

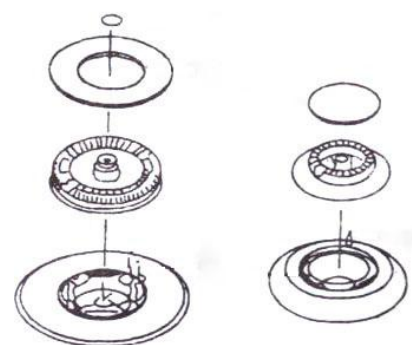
If the hob gets very dirty, use specific commercial products.

Ignition plug

Automatic burner ignition is provided (when installed) by a ceramic “plug” and a metal electrode (B in fig.1 on page 4). Periodically clean these parts of the hob thoroughly.

Furthermore, to avoid ignition difficulties, check that the cavities in the burner are not obstructed.

To remove deposits from the burner cavities, remove the cap and separate the two parts (see diagram on the right). After cleaning, put the two parts back together and return them correctly to their position. After washing, replace the hob pan stands, checking that they are correctly positioned.



Routine maintenance

Have the condition and efficiency of the gas pipe as well as the pressure regulator (if installed) checked periodically. If anomalies are found, do not repair and have the faulty part replaced.

To ensure good performance and safety, the gas regulator taps must be greased periodically.



Periodic lubrication of the taps or malfunctions of the appliance must only be carried out by qualified personnel.

Service and parts

Before leaving the factory, this appliance was tested and adjusted by specialist skilled staff to give the best operating results. Any subsequent necessary repairs or adjustments must be carried out with the greatest care and attention.

For this reason, we strongly advise you always to contact the Dealer who sold you the appliance or Parmco Service Department, specifying the nature of the problem, the model of the equipment (Mod.), the product number (Prod. No.), and the serial number (Ser. No.). These data are provided in the plate on the cover of this manual. Always request the use of original spare parts.

Warranty conditions

Your new appliance is covered by a warranty. The warranty conditions are provided in full in the warranty page at the back of this manual. Keep the receipt or delivery note, both of which documents your purchase of the appliance and provides proof of date of purchase, in a safe place together with the manual.

Technical data

Model: HO-1, HO-2, HO-7

Natural Gas (G20) 2kPa				
Product Code	No. of burners x Injector size			
	Auxiliary	Semi-Rapid	Rapid	Wok
HO-1-2S-2G	1 x 0.72	0	1 x 1.15	0
HO-1-6W-3GW	1 x 0.72	2 x 0.97	0	1 x 1.35
HO-1-6S-3GW	1 x 0.72	2 x 0.97	0	1 x 1.35
HO-2-75S-4GW	1 x 0.72	2 x 0.97	1 x 1.15	1 x 1.35
HO-2-6S-4G	1 x 0.72	2 x 0.97	1 x 1.15	0
HO-2-9S-4GW	1 x 0.72	2 x 0.97	1 x 1.15	1 x 1.35
HO-7-6G-3GW	1 x 0.72	2 x 0.97	0	1 x 1.35
HO-7-9G-4GW	1 x 0.72	2 x 0.97	1 x 1.15	1 x 1.35
Nominal Gas consumption per burner				
	3.6 MJ/h	6.3 MJ/h	10.8 MJ/h	13.7 MJ/h

General Product LPG (G30/G31) 2.75kPa				
Product Code	No. of burners x Injector size			
	Auxiliary	Semi-Rapid	Rapid	Wok
HO-1-2S-2G	1 x 0.50	0	1 x 0.85	0
HO-1-6W-3GW	1 x 0.50	2 x 0.65	0	1 x 0.98
HO-1-6S-3GW	1 x 0.50	2 x 0.65	0	1 x 0.98
HO-2-75S-4GW	1 x 0.50	2 x 0.65	1 x 0.85	1 x 0.98
HO-2-6S-4G	1 x 0.50	2 x 0.65	1 x 0.85	0
HO-2-9S-4GW	1 x 0.50	2 x 0.65	1 x 0.85	1 x 0.98
HO-7-6G-3GW	1 x 0.50	2 x 0.65	0	1 x 0.98
HO-7-9G-4GW	1 x 0.50	2 x 0.65	1 x 0.85	1 x 0.98
Nominal Gas consumption per burner				
	3.6 MJ/h	6.3 MJ/h	10.44 MJ/h	13.7 MJ/h

Model: HO-6

Natural Gas (G20) 2kPa				
Product Code	No. of burners x Injector size			
	Auxiliary	Semi-Rapid	Rapid	Wok
HO-6-6S-3GW	1 x 0.72	2 x 0.97	0	(1 burner) 4 x 0.71 1 x 0.80
HO-6-77S-4GW	1 x 0.72	2 x 0.97	1 x 1.23	(1 burner) 4 x 0.71 1 x 0.80
HO-6-9S-4GW	1 x 0.72	2 x 0.97	1 x 1.23	(1 burner) 4 x 0.71 1 x 0.80
Nominal Gas consumption per burner				
	3.6 MJ/h	7.2 MJ/h	10.8 MJ/h	16.2 MJ/h

General Product LPG (G30/G31) 2.75kPa				
Product Code	No. of burners x Injector size			
	Auxiliary	Semi-Rapid	Rapid	Wok
HO-6-6S-3GW	1 x 0.50	2 x 0.65	0	(1 burner) 5 x 0.5
HO-6-77S-4GW	1 x 0.50	2 x 0.65	1 x 0.80	(1 burner) 5 x 0.5
HO-6-9S-4GW	1 x 0.50	2 x 0.65	1 x 0.80	(1 burner) 5 x 0.5
Nominal Gas consumption per burner				
	3.6 MJ/h	6.12 MJ/h	9.0 MJ/h	16.2 MJ/h

Gas input connection ½" BSP
 Electricity supply AC 220-240v 50/60Hz
 Appliance type A1
 Appliance class class 3 (build in)

Installation Instructions

Dear Installer:

Please affix data label provided on the adjacent cupboard near the appliance for future reference. Thank you.



CAUTION: This appliance must only be installed and used in rooms with permanent ventilation to local standards.

Installation of the appliance and its connection to the electrical mains must only be carried out by **QUALIFIED PERSONNEL**.

Before any procedure, it is important to check that the appliance is disconnected from the power supply. The manufacturer declines all responsibility for any damage arising from installation in breach of the regulations in force or from failure to comply with accident prevention regulations.

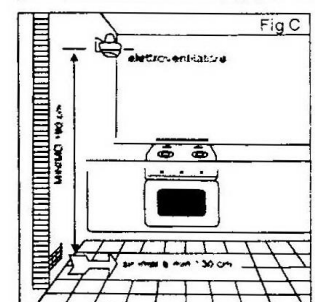
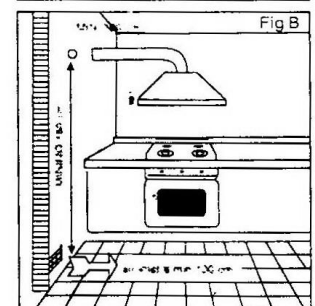
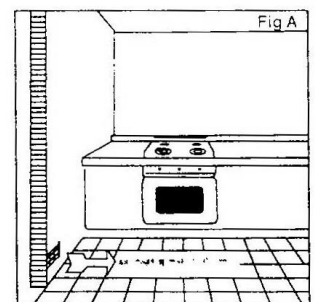
Installation premises

For the proper operation of this gas appliance, the air necessary for the combustion of the gas must be able to flow into the room naturally. The air must flow into the room directly through openings in the outside walls. These openings must have an unobstructed cross-section not less than $2\text{m}^3/\text{h}$ for each kW of power (see total power in kW on the appliance nameplate).

This opening must be constructed so that it will not be obstructed from the inside or outside; and placed close to the floor, preferably on the side opposite to that on which the flue gases are discharged. If it is not feasible to provide these openings in the room where the appliance is installed, the necessary air may be taken from an adjacent room, provided that:

- this room is not a bedroom or a hazardous environment,
- this room is not in a vacuum,
- the ventilation between the room where the appliance is installed and the adjacent room is guaranteed by permanent openings.

Note that the minimum height from the hob to the kitchen cabinet is 850mm.



Discharge of flue gases

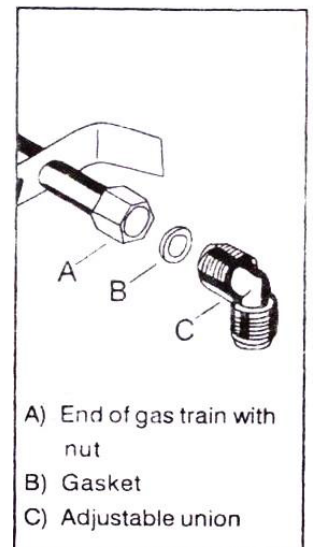
Gas cooking appliances must discharge their flue gases through hoods connected directly to flues or the outdoors. If it is not possible to install the hood (fig. B), an electric fan must be installed on the outside wall or the window of the room, provided it is possible for the ventilation opening to be increased in proportion to the delivery rate of the fan (fig. C). For a kitchen, the delivery rate of this electric fan must guarantee an hourly air exchange of 3-5 times its volume. In both instances, the use of flues already used by other appliances to discharge the flue gases is forbidden.

Please note that the minimum height between the hob and the ventilation system is 750mm.

Connection to the gas supply

The gas connection must be made in accordance with the local standards. When installing, fit a safety tap at the end of the pipeline. The appliance leaves the factory tested and set for the type of gas indicated on the plate inside the bottom guard, close to the gas connection pipe. Make sure that the type of gas to be supplied to the appliance is the same as that shown on the plate. Otherwise, follow the instructions provided in the “Adapting to different types of gas” section.

For maximum efficiency and minimum consumption, make sure that the gas supply pressure complies with the values shown on the appliance. A suitable pressure regulator must be installed on the supply pipeline. The union must be fitted on the end of the gas train. Complete with GJ½” threaded nut, fit the gasket between the components as shown in the illustration. The gaskets must comply with the local standards. Screw the parts together without forcing it, fit the union so that it points in the direction required, then tighten all parts.



Connection

Make sure the connection to the gas system is using a rigid metal pipe and regulation unions, or with a stainless steel hose complying with the local standard. If metal hoses are used, take care that they do not come into contact with mobile parts and are not crushed. This must also be checked if the hob is to be combined with an oven.

The gas intake connection of the appliance has a “male thread”.

When making the connection, take care not to apply stresses of any kind to the appliance.



When the installation is complete, always check that all the unions are absolutely tight using a soapy solution. Never use a flame to make this check.

Electrical connection

The appliance is designed to operate with a power supply voltage of 220-240 V single-phase. The connection must be made in accordance with the regulations and laws in force.

Before making the connection, make sure that:

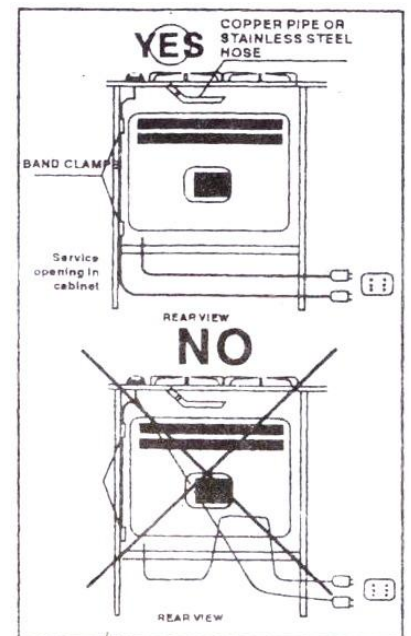
- 1) The safety circuit-breaker and the electrical system are able to withstand the load of the appliance (see nameplate).
- 2) The power supply system has an earth connection in good working order in accordance with the regulations in force;
- 3) The socket and switch used are easily accessible with the appliance installed.

Fit a plug suitable for the load on the power lead and connect it to a suitable safety socket.

If you wish to make a direct connection to the mains, an omnipolar switch must be installed between the appliance and the mains: with at least 3mm between the contacts of suitable rating for the load while complying with the regulations in force. The switch must not break contact in the yellow/green earth wire. The brown live wire (connected to the "L" terminal of the terminal board) must always be connected to the live wire of the power supply mains.

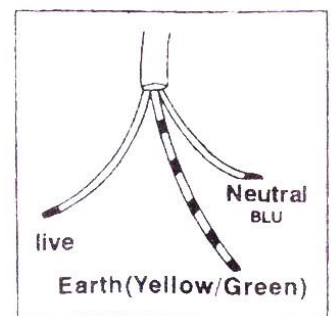
In all cases, the power supply lead must be positioned so that it does not reach a temperature of 50°C above the room temperature at any point.

One example of an ideal route is shown in the illustration. The cable is guided by means of band clamps fixed to the side of the cabinet, in order to avoid any contact with the appliance underneath the hob.



Replacing the power supply lead

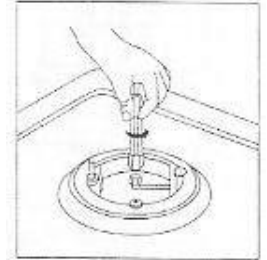
If the lead has to be replaced, only HO5RR-F or HO5RN-F type cables suitable for the load and the operating temperature must be used. In addition, the yellow/green earth wire must be about 20mm longer than the live and neutral wires.



Adapting to the different types of gas

Changing the nozzles

1. Remove the pan stands.
2. Remove the burner caps and flame caps from the burners.
3. Use a size 7 socket wrench to unscrew and remove the nozzles, replacing them with those corresponding to the type of gas to be used (see “Technical data”).
4. Reassemble the parts, reversing the operations described above.
5. Then replace the setting data (close to the mains gas connection) with the one for the new type of gas. If the pressure of the gas used is different from that specified (or variable), a suitable piped gas pressure regulator complying with the standard must be installed on the supply pipeline.



Setting the minimum level

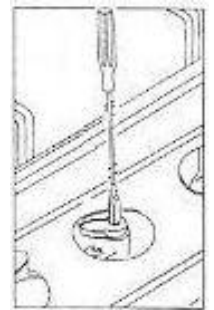
1. Light the burner as already described.
2. Turn the tap to the minimum flame position.
3. Remove the control knobs.
4. LPG to NG:

Use a thin blade screwdriver to turn the by-pass screw located in the centre of the gas valve shaft, as shown on the image. Gently turn the by-pass screw clockwise to the end, then turn it anti-clockwise – 1/2 turn for the triple flame burner, 3/4 turn for the large rapid burner, also 1/2 turn for the medium semi-rapid burner, and 3/8 turn for the auxiliary burner.

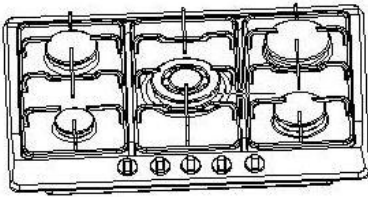
NG to LPG:

Use a thin blade screwdriver to turn the by-pass screw located in the centre of the gas valve shaft as shown on the image. Gently turn the by-pass screw clockwise to the end.

5. Finally, check that the burner does not go out when the tap is turned quickly from the maximum to the minimum position.



Building into fitted kitchen units



These hobs are designed for installation in fitted kitchen units up to 600mm deep with suitable characteristics.

Please refer to the New Zealand Gas standards for minimum clearances of the installation of gas appliances.

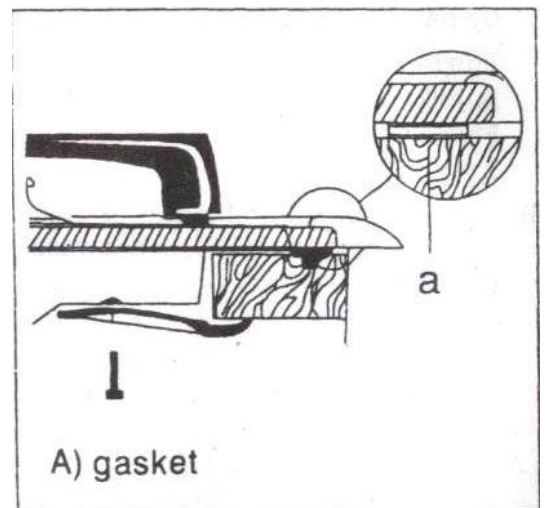
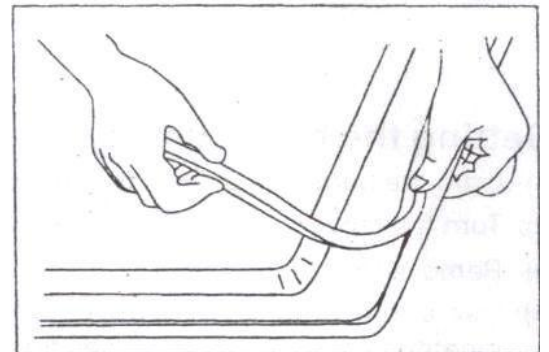
The dimensions of the hob and the installation opening are shown in the illustration.

Insertions and fixing

Before inserting the hob in the installation opening, place the special gasket around the bottom edge of the hob.

It is important to fix this gasket evenly without gaps or overlapping, in order to prevent liquid from seeping underneath the hob.

- 1) Remove the pan stands and burners caps, and turn the hob upside down, taking care not to damage the ignition plugs and the thermocouples.
- 2) Place the gasket around the bottom edge of the hob as shown in the illustration on the right.
- 3) Place the hob in the installation opening and push it down so that the hob is resting firmly on the cabinet, as show in the illustration. The side springs will hold it in place.

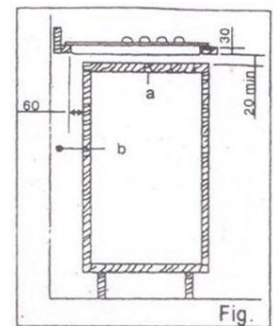


Installation options

On base cabinet with door

When constructing the cabinet, suitable precautions must be taken to prevent contact with the casing of the hob, which becomes very hot during operation. The recommended method for overcoming this problem is illustrated on the right.

The panel underneath the hob must be easily removable to allow the hob to be locked in position and released in case of servicing work.



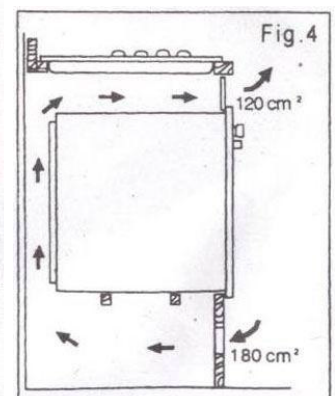
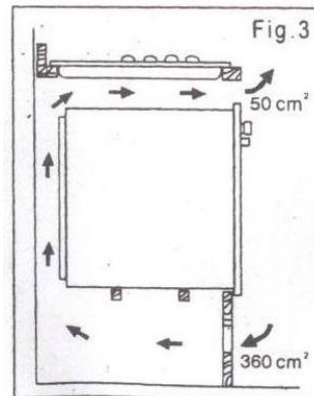
a Removable panel
b Space for connections

On base cabinet with oven

Two possible methods for avoiding overheating are illustrated on the right.

The electrical connections of the hob and oven must be made separately both for electrical reasons and for simplifying the removal of the oven through the front of the cabinet.

The distance must be at least 750mm between the gas hob and the ventilation system, and must be at least 850mm between the gas hob and the kitchen cabinet.



When installing a rangehood above a gas appliance, all relevant New Zealand building, installation and regulation standards must be adhered to.

Cutout Dimensions

Model	Dimensions (w x h) mm
HO-1-2S-2G	285x485
HO-1-6S-3GW	555x475
HO-1-6W-3GW	555x475
HO-2-6S-4G	560x495
HO-2-75S-4GW	735x495
HO-2-9S-4GW	735x495
HO-6-6S-3GW	560x495
HO-6-77S-4GW	735x495
HO-6-9S-4GW	735x495
HO-7-6G-3GW	565x495
HO-7-9G-4GW	735x495