

# Wall Rangehood, 60cm, Pyramid Chimney

Series 5 | Contemporary

Stainless Steel

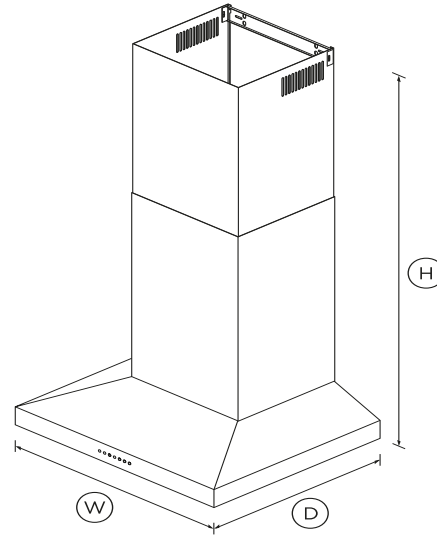


The wall chimney rangehood has contemporary styling, extracting steam, grease and cooking odours quietly and efficiently.

- With three fan speeds, select the perfect extraction rate for your cooking
- Powerful maximum air movement of 780m<sup>3</sup>/hr
- Dishwasher safe filters that are easy to remove and clean

## DIMENSIONS

Height	610 - 1050 mm
Width	598 mm
Depth	500 mm



## FEATURES & BENEFITS

### Easy installation

This wall chimney rangehood is the perfect partner to your Fisher & Paykel cooktop. It can be either externally ducted or internally recirculated, making it perfect for apartments.

### Simple to use

Three fan speeds provide powerful extraction to ensure steam and odours are quickly removed. Simply change the fan speed with the touch of a button.

### Easy cleaning

Three filters effectively trap grease particles during extraction. They are easy to remove and dishwasher safe, or can be cleaned by hand in hot soapy water.

### Complementary design

This wall chimney rangehood's sleek stainless steel finish which will complement any contemporary kitchen and is designed to match the rest of Fisher & Paykel's kitchen appliance family.

## SPECIFICATIONS

### Accessories

Aluminium filter	792527
Chimney extension	792492 (Cover duct extension)
Eave ducting kit	PD-RHK150E
Light bulb	792461
Recirculation carbon filter	792481
Recirculation diverter	791820
Roof ducting kit	PD-RHK150R
Side wall ducting kit	PD-RHK150W

### Fan ratings

Maximum air movement	780m <sup>3</sup> /hr
Maximum sound rating	65dBA

### Installation and cleaning

Air outlet size	120 - 150mm
Dishwasher safe filters	2
Ducted	Top extraction
Recirculation	Optional - top extraction
Two piece height adjustable	•

and specifications may change at any time. You should therefore check with Fisher & Paykel's Customer Care Centre to ensure this page correctly describes the model currently available. © Fisher & Paykel Appliances Ltd 2020

---

### Performance

Extraction type	Surface
Fan speeds	3
Filter type	Mesh
Number of filters	2

---

### Power requirements

Supply frequency	50Hz
Supply voltage	220 - 240V

---

### Product dimensions

Depth	500 mm
Height	610 - 1050 mm
Width	598 mm

---

### Product information

Control type	Push Button
--------------	-------------

---

### Ventilation features

Light type	LED 2 x 3.5W
------------	--------------

---

### Warranty

Parts and labour	2 years
------------------	---------

---

SKU	50006
-----	-------

---

TEST The product dimensions and specifications in this page apply to the specific product and model. Under our policy of continuous improvement, these dimensions

---

### Other product downloads available at fisherpaykel.com



Service & Warranty Booklet



User Guide



**A PEACE OF MIND SALE**

**24 Hours 7 Days a Week Customer Support**

**T 0800 372 273 W [www.fisherpaykel.com](http://www.fisherpaykel.com)**