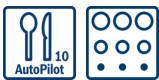


**Serie | 8, Built-in oven, 60 x 60 cm,
Black
HBG6753B1A**



Included accessories

1 x grill tray
suit. pyrol. clean.
2 x combination grid
1 x universal pan

Optional accessories

HEZ327000 : Pizza stone

AutoPilot 10: perfect dishes thanks to 10 pre-set automatic programs

- **TFT display control:** easy-to-use thanks to the control ring with full text and symbols.
- **AutoPilot 10:** every dish is a perfect success thanks to 10 pre-set automatic programmes.
- **Pyrolytic self-cleaning:** no cleaning effort thanks to automatic self-cleaning.
- **4D Hot Air:** even heat distribution for perfect results, using up to 4 different levels simultaneously.

Technical Data

Color / Material Front :	Black
Built-in / Free-standing :	Built-in
Integrated Cleaning system :	Pyrolytic+Hydrolytic
Required niche size for installation (HxWxD) :	585-595 x 560-568 x 550
Dimensions :	595 x 594 x 548
Dimensions of the packed product (HxWxD) (mm) :	670 x 680 x 670
Control Panel Material :	Glass
Door Material :	Glass
Net weight (kg) :	40.466
Usable volume of cavity (l) :	71
Cooking method :	Bottom heat, Conventional heat, Defrost, Full width grill, Half width grill, Hot Air-Eco, Hot air grilling, low temperature cooking, Pizza setting, pre-heating, warming
Oven control :	electronic
Number of interior lights :	1
Approval certificates :	CE, VDE
Length electrical supply cord (cm) :	120
EAN code :	4242005131433
Number of cavities (2010/30/EC) :	1
Energy efficiency rating :	A
Energy consumption per cycle conventional (2010/30/EC) :	0.90
Energy consumption per cycle forced air convection (2010/30/EC) :	0.74
Energy efficiency index (2010/30/EC) :	87.1
Connection Rating (W) :	3600
Current (A) :	16
Voltage (V) :	220-240
Frequency (Hz) :	50; 60
Plug type :	no plug



4 242005 131433

Serie | 8, Built-in oven, 60 x 60 cm, Black HBG6753B1A

AutoPilot 10: perfect dishes thanks to 10 pre-set automatic programs

Dimensions:

- Appliance dimension (HxWxD): 595 mm x 594 mm x 548 mm
- Installation dimensions (HxWxD): 585 mm - 595 mm x 560 mm - 568 mm x 550 mm
- Please reference the built-in dimensions provided in the installation drawing

Heating Functions

- Oven (black) with 13 heating methods:
 - 4D hot air
 - 4D HotAir Eco
 - Top/Bottom heating
 - Top/bottom heating Eco
 - Hot-air grilling
 - Grill large area
 - Small area grill
 - Pizza setting
 - Bottom heating
 - Slow cooking
 - Defrost
 - Plate warming
 - Keep warm
- Temperature range 30 °C - 300 °C
- Cavity volume: 71 l

Hook-in racks / rails

- 2 level telescopic shelf rails, safety stop function, full extension, pyrolytic proof

Design

- TFT display screen
- Stainless steel straight bar handle
- SoftMove Door - SoftOpen & SoftClose

Convenience

- Electronic clock with start / stop function
- Temperature proposal
 - Actual temperature display
 - Temperature indicator line
- Pyrolytic cleaning function
- Automatic rapid heat function
- Halogen lighting
- Cooling fan

Accessories

- 1 x grill tray, suit. pyrol. clean., 2 x combination grid, 1 x universal pan

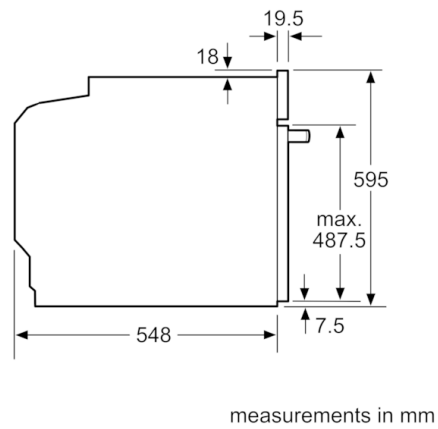
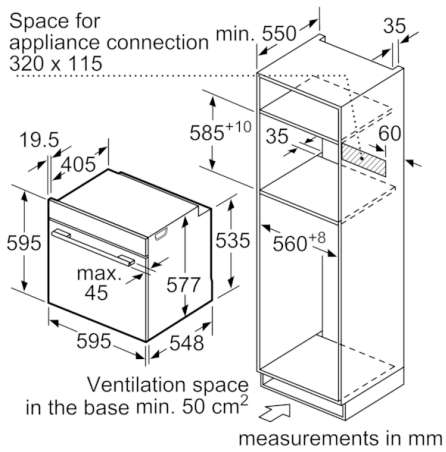
Cleaning

- Maximum window temperature 30° C
- Child lock
 - Residual heat indicator
 - Automatic switch off

Technical Information

- Length of mains cable: 120 cm
- Nominal voltage: 220 - 240 V
- Total connected load electric: 3.6 KW

**Serie | 8, Built-in oven, 60 x 60 cm, Black
HBG6753B1A**



If the appliance will be installed underneath a hob, the following worktop thicknesses (including substructure if necessary) must be taken into account.

Hob type	min. worktop thickness	
	fitted	flush
Induction hob	37 mm	38 mm
Full surface Induction hob	47 mm	48 mm
Gas hob	30 mm	38 mm
Electric hob	27 mm	30 mm

