

**Serie | 4, Built-in oven, 60 x 60 cm,
Stainless steel
HBA534ES0A**



Included accessories

1 x grill tray
2 x combination grid
1 x universal pan

Optional accessories

HEZ317000 : Pizza pan, grey enamelled
HEZ327000 : Pizza stone
HEZ333001 : Lid for professional pan

The built-in oven with 3D hot air: achieve perfect baking and roasting results on up to three levels simultaneously.

- **EcoClean Direct:** almost no cleaning is necessary thanks to a special coating of the rear wall that automatically absorbs grime.

Technical Data

Color / Material Front :	Stainless steel
Built-in / Free-standing :	Built-in
Integrated Cleaning system :	Catalytic partial, Hydrolytic
Required niche size for installation (HxWxD) :	585-595 x 560-568 x 550
Dimensions :	595 x 594 x 548
Dimensions of the packed product (HxWxD) (mm) :	670 x 680 x 660
Control Panel Material :	Stainless steel
Door Material :	Glass
Net weight (kg) :	33.639
Usable volume of cavity (l) :	71
Cooking method :	Bottom heat, Conventional heat, Full width grill, Hot Air, Hotair gentle, Hot air grilling, Pizza setting
First cavity material :	Other
Oven control :	mechanical
Number of interior lights :	1
Approval certificates :	CE, VDE
Length electrical supply cord (cm) :	120
EAN code :	4242005033812
Number of cavities (2010/30/EC) :	1
Energy efficiency rating :	A
Energy consumption per cycle conventional (2010/30/EC) :	0.97
Energy consumption per cycle forced air convection (2010/30/EC) :	0.81
Energy efficiency index (2010/30/EC) :	95.3
Connection Rating (W) :	3400
Current (A) :	16
Voltage (V) :	220-240
Frequency (Hz) :	50; 60
Plug type :	no plug



Serie | 4, Built-in oven, 60 x 60 cm, Stainless steel HBA534ES0A

The built-in oven with 3D hot air: achieve perfect baking and roasting results on up to three levels simultaneously.

Heating Functions

- Oven with 7 heating methods: 3D Hotair Top/Bottom heating
Hot-air grilling Grill large area Pizza setting Bottom heating
Hotair gentle

Design

- Rotary Control Knobs, Retractable rotary control knobs
- Display panel
- Straight Bar handle
- Enamelled cavity (grey)
- Halogen lighting

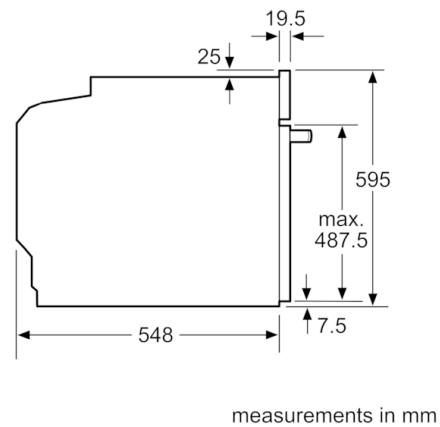
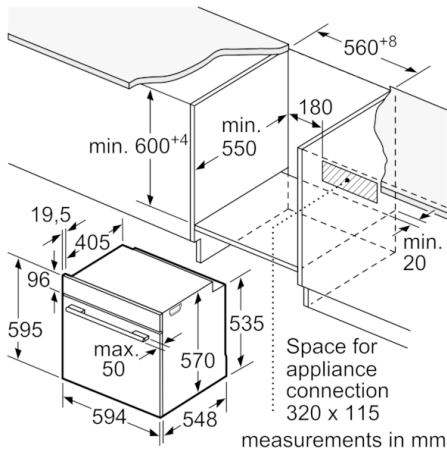
Convenience

- Cavity volume: 71 l
- Maximum window temperature 40 °C
- Temperature range 50 °C - 275 °C
- Triple glass door panel
- EcoClean Direct: A microfine ceramic bead coating on the oven's interior ceiling, sides and back. It absorbs fat droplets and breaks them down while you bake or roast to keep the inside of the oven clean
- Child lock
- Cooling fan
- 1 level telescopic rail
- Electronic functions: automatic start

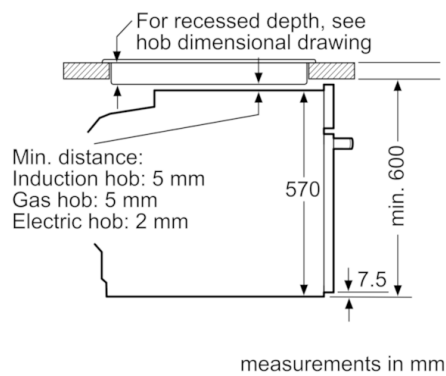
Technical Information

- Appliance dimension (HxWxD): 595 mm x 594 mm x 548 mm
- Installation dimensions (HxWxD): 585 mm - 595 mm x 560 mm - 568 mm x 550 mm
- Total connected load electric: 3.4 KW
- 1 set of level independent telescopic rails (Clip-on rail)
- Length of mains cable: 120 cm

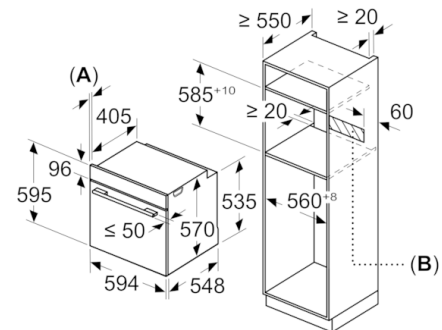
Serie | 4, Built-in oven, 60 x 60 cm, Stainless steel
HBA534ES0A



Installation with a hob.



Measurements in mm



A: 19.5 mm
B: Space for appliance connection 320 x 115 mm