

90cm dark stainless steel canopy rangehood with Hob2Hood technology, maximum airflow of 790m³/h and long lasting LED lighting.

RRP NZ \$2,149.00



Product Details

FEATURES

Hob2Hood technology

Max airflow of 790m³/h

Operation noise as low as 50dB(A)

Delay off function

LED lighting

Dishwasher safe filters

3 speeds

Touch on glass controls

BENEFITS

The hands free hood

While you concentrate on the flavours, the innovative Hob2Hood feature will take care of keeping your kitchen fresh. The rangehood automatically turns on as soon as you start cooking, and intuitively adjusts the fan speed with your cooking.

Maximise your airflow

Remove odours and vapours quickly and efficiently with a high airflow rate of 790m³/h

Keep the noise down

With noise levels as low as 50dB(A), keep the conversation going smoothly when entertaining guests

Clear visibility for complete control

Long lasting LED lights illuminates the complete cooking surface giving you full control over your delicious cuisine.

Specifications

PRODUCT PROFILE

Domestic warranty details (yrs)	2
---------------------------------	---

Type of Rangehood	wall mounted canopy
-------------------	---------------------

Nominal width	900
---------------	-----

Finish of Rangehood	Dark stainless steel
---------------------	----------------------

DIMENSIONS

Total product height (mm)	1260
---------------------------	------

Total product width (mm)	898
--------------------------	-----

Total product depth (mm)	460
--------------------------	-----

Diameter of ducting (mm)	150
--------------------------	-----

MOTOR/FAN

Number of fans	2
----------------	---

Number of fans speeds	3
-----------------------	---

Auto off	Yes
----------	-----

Type of motor	centrifugal
---------------	-------------

Perimeter extraction	No
----------------------	----

Maximum airflow M3/Hr	790
-----------------------	-----

Noise level dB high	72
---------------------	----

Noise level dB low	50
--------------------	----

CONTROLS

Control panel	touch on glass controls
---------------	-------------------------

Safety/ display indicators	auto thermal cutout safety switch,grease filter saturation indicator
----------------------------	--

LED speed display	Yes
-------------------	-----

Hob2Hood function	Yes
-------------------	-----

DIMENSIONS

Minimum installation height from cooking surface Gas (mm)	650
---	-----

Minimum installation height from cooking surface Electric (mm)	600
--	-----

Flue cover depth (mm)	260
-----------------------	-----

Flue cover width (mm)	300
-----------------------	-----

FILTERS

Number of filters	3
-------------------	---

Type of filter	multi layer with stainless steel covers
----------------	---

Dishwasher safe	Yes
-----------------	-----

DUCTING / RECIRCULATION

Ducting	optional accessory
---------	--------------------

Top or rear duct hole	top
-----------------------	-----

Recirculation option	Yes
----------------------	-----

Recirculation kit	optional accessory
-------------------	--------------------

LIGHTS

Number of lights	2
------------------	---

Wattage of light	2
------------------	---

Type of light	LED
---------------	-----

SHIPPING

Shipping Volume (m3)	0.244
----------------------	-------

Shipping Weight (Kg)	22
----------------------	----

Pack Dimensions Height (mm)	603
-----------------------------	-----

DUCTING / RECIRCULATION

Ducting accessory available	Yes
-----------------------------	-----

SHIPPING

Pack Dimension Width (mm)	415
---------------------------	-----

Pack Dimension Depth (mm)	975
---------------------------	-----

STUFFING QUANTITIES

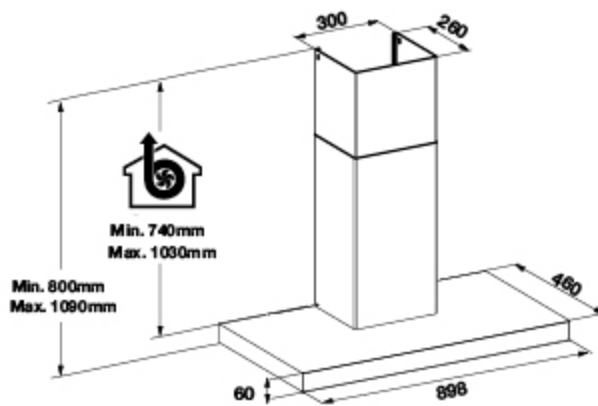
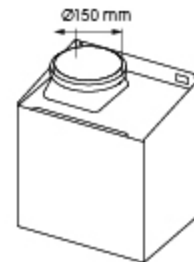
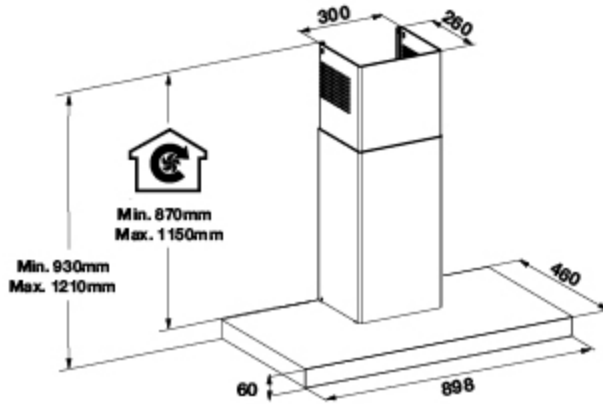
20ft	104
------	-----

40ft	212
------	-----

40ft HC	250
---------	-----

Dimensions

Model:
ERC925DSD



x = Ø120 mm
y = Ø150 mm

Note: The fan housing air outlet is 150mm in diameter.

*Unless specified in rangehood installation details.

Terms and Conditions

IMPORTANT

This is a guide of product dimensions only. For complete installation instructions, refer to the manual provided with product.

PRODUCT INFORMATION

The descriptors and illustrations in this publication apply to the specific products and models described as at the date of issue. Under our policy of continuous product development, product specifications may change without notice. Prospective purchasers should therefore check with their retailer to ensure this publication correctly describes the products that are being offered for sale. All information supplied is to be used for general reference purposes only and is on the understanding that Electrolux Home Products Pty Ltd (Australia) and Electrolux (NZ) Ltd (New Zealand) will not be liable for any loss, liability or damage of whatever kind arising as a result of reliance on such information. Colours of products illustrated are as close as printing limitations allow. Electrolux will at all times comply with its obligations pursuant to law including Trade Practices (Australian Consumer Law) Act and Regulations.

WARRANTY

This warranty only applies to Appliances purchased and used in Australia or New Zealand and used in normal domestic applications and is in addition to (and does not exclude, restrict, or modify in any way) any non-excludable statutory warranties in Australia or New Zealand. All warranties are subject to the conditions set out in the warranty card accompanying the product when purchased.

ELECTROLUX HOME PRODUCTS AUSTRALIA

telephone: 1300 363 640

fax: 1800 350 067

email: customercare@electrolux.com.au

web: www.electrolux.com.au

ELECTROLUX HOME PRODUCTS NEW ZEALAND

telephone: 09 573 2230

fax: 09 573 2221

email: customercare@electrolux.co.nz

web: www.electrolux.co.nz