

**60cm 4 zone ceramic cooktop with Hob2Hood technology, flexible triple zone and touch and slide controls.**

RRP NZ \$1,719.00



## Product Details

### FEATURES

---

Hob2Hood technology

Flexible triple zone

Touch and slide controls  
Touch the control bar at the  
necessary heat setting

STOP + GO function

---

Keep warm

Safety child lock

### BENEFITS

---

#### Hob2Hood

With our innovative Hob2Hood technology you can effortlessly control your kitchen environment as you cook. This smart technology allows a compatible rangehood and hob to seamlessly work together to instantly get rid of unpleasant cooking odours. As you increase the heat, the temperature sensors automatically adjust your hood to your cooking intensity.

#### Versatile performer

From the elegant, black ceramic surface to the smart, triple zone cooking feature, you'll love everything about your new cooktop.

---

#### Control at your fingertips

The touch controls on the ceramic hob lets you heat up, down or switch off effortlessly. Just gently slide your finger across the control to the temperature you need and you can be confident it will respond, so you can create delicious meals effortlessly.

#### Safe and sound

Relax, knowing your soup won't boil over if you're interrupted in the middle of cooking just turn on the keep warm feature until you're ready to get back to it. If you're juggling multiple tasks, you'll love the timer that acts as a handy reminder to check your results.

---

## Specifications

### PRODUCT PROFILE

---

|                                 |                     |
|---------------------------------|---------------------|
| Domestic warranty details (yrs) | 2                   |
| Cooktop type                    | ceramic             |
| Materials/Colour                | black ceramic glass |

---

### CONTROLS

---

|                       |   |
|-----------------------|---|
| Controls of Cooktops  | Touch and Slide controls  |
| Position of controls  | front   |
| Functions of Cooktops | Keep warm function, stop and go, automatic switch off, Hob2Hood, auto heat up, cooking timer with acoustic signal |
| Indicators/display    | fault indicator, residual heat warning lamps  |

---

### DIMENSIONS

---

|                           |     |
|---------------------------|-----|
| Total product height (mm) | 55  |
| Total product width (mm)  | 590 |
| Total product depth (mm)  | 520 |
| Cut out width (mm)        | 560 |
| Cut out depth (mm)        | 490 |

---

### ELEMENTS/BURNERS

---

#### LEFT FRONT ZONE

---

|                        |                |
|------------------------|----------------|
| Left front zone        | ceramic triple |
| Left front Watts       | 2300           |
| Left front diameter mm | 210            |

---

## CONTROLS

---

|                     |   |
|---------------------|---|
| Features of Cooktop | safety cut off,electronic timer,safety child lock,hot surface indicator,sound off,minute minder,Hob2Hood Connectivity |
|---------------------|---|

---

|                  |   |
|------------------|---|
| Timer of Cooktop | programmable<br>99min,countdown,Minute minder |
|------------------|---|

---

## LEFT REAR ZONE

---

|                 |      |
|-----------------|------|
| Left rear watts | 1200 |
|-----------------|------|

---

|                       |     |
|-----------------------|-----|
| Left rear diameter mm | 145 |
|-----------------------|-----|

---

## RIGHT FRONT ZONE

---

|                   |      |
|-------------------|------|
| Right front Watts | 1200 |
|-------------------|------|

---

|                         |     |
|-------------------------|-----|
| Right front diameter mm | 145 |
|-------------------------|-----|

---

## RIGHT REAR ZONE

---

|                  |      |
|------------------|------|
| Right rear watts | 1800 |
|------------------|------|

---

|                        |     |
|------------------------|-----|
| Right rear diameter mm | 180 |
|------------------------|-----|

---

## ELECTRICAL SPECIFICATIONS

---

|                   |     |
|-------------------|-----|
| Connected load KW | 6.5 |
|-------------------|-----|

---

|                    |           |
|--------------------|-----------|
| Type of connection | hardwired |
|--------------------|-----------|

---

## GAS SPECIFICATIONS

---

|                         |     |
|-------------------------|-----|
| Maximum power rating kW | 6.5 |
|-------------------------|-----|

---

## SHIPPING

---

|                      |      |
|----------------------|------|
| Shipping Volume (m3) | 0.44 |
|----------------------|------|

---

|                      |     |
|----------------------|-----|
| Shipping Weight (Kg) | 9.5 |
|----------------------|-----|

---

**SHIPPING**

---

|                             |     |
|-----------------------------|-----|
| Pack Dimensions Height (mm) | 108 |
|-----------------------------|-----|

---

|                           |     |
|---------------------------|-----|
| Pack Dimension Width (mm) | 600 |
|---------------------------|-----|

---

|                           |     |
|---------------------------|-----|
| Pack Dimension Depth (mm) | 678 |
|---------------------------|-----|

---

|                                    |       |
|------------------------------------|-------|
| Total shelf area (m <sup>2</sup> ) | 40.68 |
|------------------------------------|-------|

---

**STUFFING QUANTITIES**

---

|      |     |
|------|-----|
| 20ft | 513 |
|------|-----|

---

|      |      |
|------|------|
| 40ft | 1083 |
|------|------|

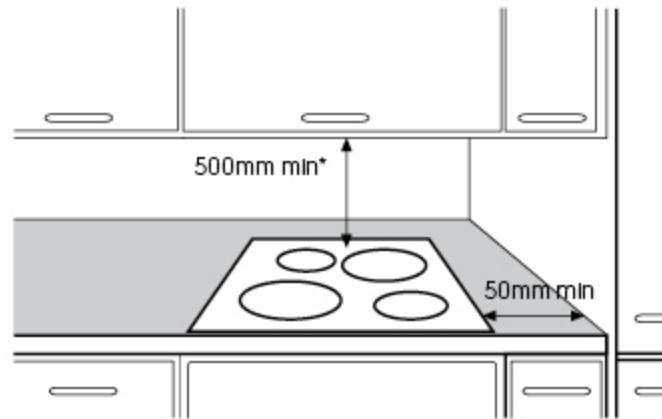
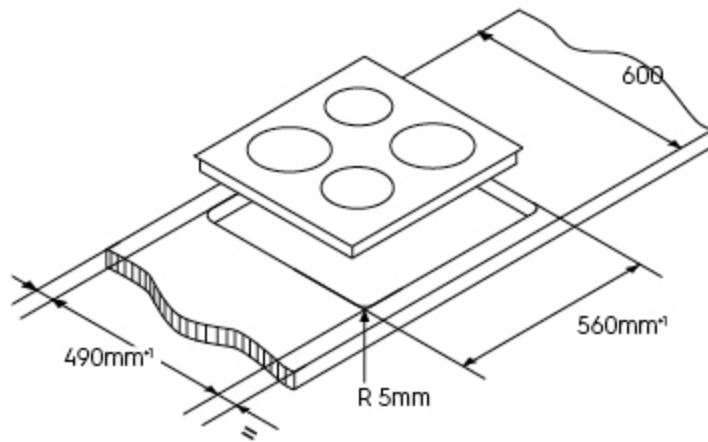
---

|         |      |
|---------|------|
| 40ft HC | 1254 |
|---------|------|

---

## Dimensions

Model:  
EHC644BB



\*Unless otherwise specified in rangehood installation details.

## Terms and Conditions

### IMPORTANT

This is a guide of product dimensions only. For complete installation instructions, refer to the manual provided with product.

### PRODUCT INFORMATION

The descriptors and illustrations in this publication apply to the specific products and models described as at the date of issue. Under our policy of continuous product development, product specifications may change without notice. Prospective purchasers should therefore check with their retailer to ensure this publication correctly describes the products that are being offered for sale. All information supplied is to be used for general reference purposes only and is on the understanding that Electrolux Home Products Pty Ltd (Australia) and Electrolux (NZ) Ltd (New Zealand) will not be liable for any loss, liability or damage of whatever kind arising as a result of reliance on such information. Colours of products illustrated are as close as printing limitations allow. Electrolux will at all times comply with its obligations pursuant to law including Trade Practices (Australian Consumer Law) Act and Regulations.

### WARRANTY

This warranty only applies to Appliances purchased and used in Australia or New Zealand and used in normal domestic applications and is in addition to (and does not exclude, restrict, or modify in any way) any non-excludable statutory warranties in Australia or New Zealand. All warranties are subject to the conditions set out in the warranty card accompanying the product when purchased.

#### ELECTROLUX HOME PRODUCTS AUSTRALIA

telephone: 1300 363 640

fax: 1800 350 067

email: [customercare@electrolux.com.au](mailto:customercare@electrolux.com.au)

web: [www.electrolux.com.au](http://www.electrolux.com.au)

#### ELECTROLUX HOME PRODUCTS NEW ZEALAND

telephone: 09 573 2230

fax: 09 573 2221

email: [customercare@electrolux.co.nz](mailto:customercare@electrolux.co.nz)

web: [www.electrolux.co.nz](http://www.electrolux.co.nz)