

7.0kg vented tumble dryer comes with SensorDry technology to gently dry your garments for an exceptional result. Other features include fast timed programs, and anti-tangle reverse tumbling action.

RRP NZ \$1,069.00



Product Details

FEATURES

Sensor Dry

Sensor Dry cares for your clothes. 3 settings dry your clothes just right without overdrying.

Durable stainless steel drum

Wall mount option with reversible control panel decal

Clean Filter Indicator

A reminder to clean the filter, keeping your dryer running in optimal condition, saving time and energy.

Efficient Reverse Tumbling Action

The tumble action alternates from clockwise to anti-clockwise. This reduces clothes tangling and bunching, so they dry evenly and quicker.

Ideal temperature settings

BENEFITS

Sensor Dry

Sensor Dry gently and precisely dries your garments for exceptional results. This easy-to-use program will also save you precious time and energy.

Efficient Reverse Tumbling Action

The tumble action alternates clockwise to anti-clockwise, reducing clothes tangling and bunching, so they dry evenly and quicker.

Ideal temperature settings to suit different loads

With four settings, even your most precious items are in safe hands. Choose from the airing setting for uncomplicated aeration, low heat setting for your delicates, normal setting for regular loads, or use the boost setting for heavier loads.

Specifications

PRODUCT PROFILE

Domestic warranty details (yrs) 2

Dryer Type exhaust venting front/rear

Capacity (Kg) 7.0

Wall mount option yes

ENERGY

Energy Star Rating 2

Energy consumption (KWhr/yr) 315

BUTTON FUNCTIONS

DIMENSIONS

Total height (mm) 795

Total width (mm) 600

Total depth (mm) 600

CONTROLS

Type of controls electronic rotary

Options available delicates setting,heat settings,auto sensing,reverse tumbling action,time dry,Dryness level,End Alert

Type of display LED

Fabric type selection delicate,cotton,synthetics

DRYING PROGRAMS

BUTTON FUNCTIONS

Reminder/ Indicators	clean lint filter reminder,end of cycle,progress indicator,child lock
----------------------	---

Functions	Start/Pause,airing,clean filter reminder,Child Lock,buzzer,auto sensing,auto cool down,reverse tumbling drum action,program 30min,program 60min,program 90min
-----------	---

DRUM

Spin tub material	stainless steel
-------------------	-----------------

CABINET

Cabinet Colour	white
----------------	-------

Cabinet material	painted galvanized steel
------------------	--------------------------

DRYING PROGRAMS

Drying Programs	auto sensing,Delicate,Refresh,extra dry,iron dry,timed programs,cupboard dry,drying regular,Mixed Dry,bed linen
-----------------	---

Degree of dryness	extra,iron dry,cupboard
-------------------	-------------------------

Venting	optional rear venting,directional front vent grille
---------	---

DOOR

Type	See through door
------	------------------

Dryer Door colour	white
-------------------	-------

TECHNICAL

Service cord length	1.8
---------------------	-----

Dryer Lint filter position	front pocket
----------------------------	--------------

Buzzer	end of cycle
--------	--------------

Dryer Element watts	2100
---------------------	------

Dryer Safety thermostat heater	Yes
--------------------------------	-----

SHIPPING

Shipping Volume (m3)	0.33
----------------------	------

Shipping Weight (Kg)	28.5
----------------------	------

Pack Dimensions Height (mm)	830
-----------------------------	-----

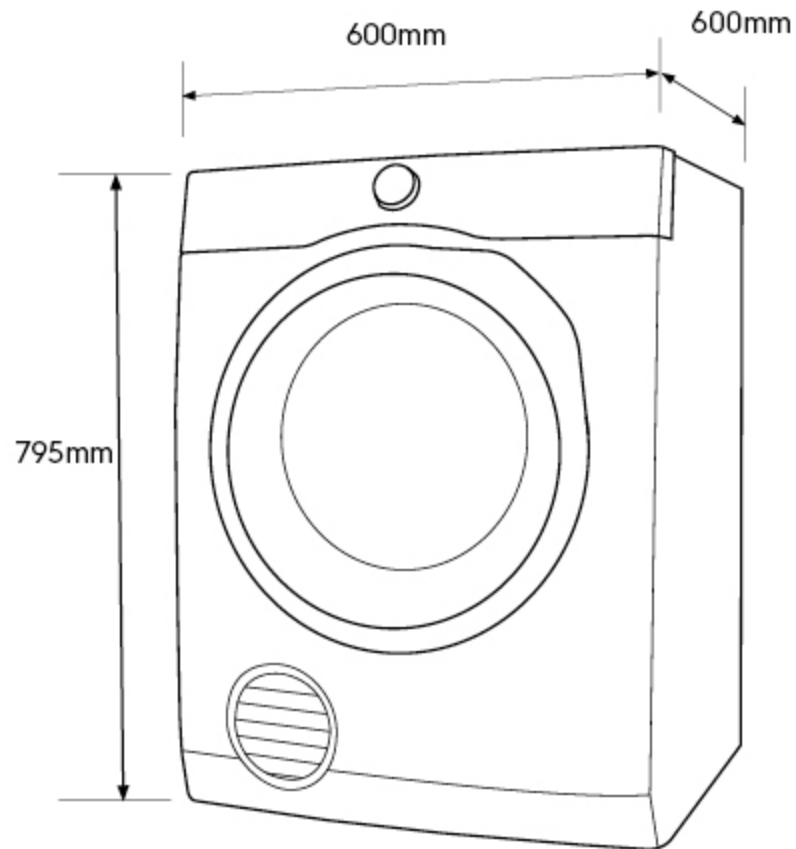
Pack Dimension Width (mm)	630
---------------------------	-----

Pack Dimension Depth (mm)	640
---------------------------	-----

STUFFING QUANTITIES

40ft HC	162
---------	-----

Dimensions



IMPORTANT

This is a guide of product dimensions only. For complete installation instructions, refer to the manual provided with product.

© 2021 Electrolux Home Products Pty Ltd. E_DIM_EDV705H3WB_1Jan21

Terms and Conditions

IMPORTANT

This is a guide of product dimensions only. For complete installation instructions, refer to the manual provided with product.

PRODUCT INFORMATION

The descriptors and illustrations in this publication apply to the specific products and models described as at the date of issue. Under our policy of continuous product development, product specifications may change without notice. Prospective purchasers should therefore check with their retailer to ensure this publication correctly describes the products that are being offered for sale. All information supplied is to be used for general reference purposes only and is on the understanding that Electrolux Home Products Pty Ltd (Australia) and Electrolux (NZ) Ltd (New Zealand) will not be liable for any loss, liability or damage of whatever kind arising as a result of reliance on such information. Colours of products illustrated are as close as printing limitations allow. Electrolux will at all times comply with its obligations pursuant to law including Trade Practices (Australian Consumer Law) Act and Regulations.

WARRANTY

This warranty only applies to Appliances purchased and used in Australia or New Zealand and used in normal domestic applications and is in addition to (and does not exclude, restrict, or modify in any way) any non-excludable statutory warranties in Australia or New Zealand. All warranties are subject to the conditions set out in the warranty card accompanying the product when purchased.

ELECTROLUX HOME PRODUCTS AUSTRALIA

telephone: 1300 363 640

fax: 1800 350 067

email: customercare@electrolux.com.au

web: www.electrolux.com.au

ELECTROLUX HOME PRODUCTS NEW ZEALAND

telephone: 09 573 2230

fax: 09 573 2221

email: customercare@electrolux.co.nz

web: www.electrolux.co.nz