

**Serie | 2, Wall-mounted canopy
rangehood, 90 cm, Stainless steel
DWB95BC50A**



- **LED lighting:** for perfect, energy-efficient illumination of the cooktop.
- With exhaust, the air is cleaned by a grease filter and then ducted to the outside which ensures optimal kitchen air quality
- 3-Speed Power Level Options To Suit Your Cooking Style And Recipes
- Dishwasher safe aluminum mesh filters
- Converts to Recirculation Mode with Accessory Kit (Separate Purchase Required)

Technical Data

Typology :	Chimney
Approval certificates :	CE
Length electrical supply cord (cm) :	150
Height of the chimney (mm) :	415-680/495-770
Height of product, without chimney (mm) :	53
Minimum distance above an electric hob :	650
Minimum distance above a gas hob :	750
Net weight (kg) :	18.554
Type of control :	mechanical
Number of speed settings :	3
Maximum output air extraction (m ³ /h) :	616
Maximum output recirculating air (m ³ /h) :	280
Number of lights :	2
Noise level (dB) :	70
Diameter of air outlet (mm) :	120
Grease filter material :	Washable aluminium
EAN code :	4242005222223
Connection Rating (W) :	216
Voltage (V) :	220-240
Frequency (Hz) :	50
Plug type :	AU plug
Installation typology :	Wall-mounted



4 242005 222223

Serie | 2, Wall-mounted canopy rangehood, 90 cm, Stainless steel DWB95BC50A

Design

- Box design
- Appliance colour: Stainless steel

Performance

- 3 Power settings
- Push Button controls for power and light
- Suitable for ducted or recirculating operation
- For recirculated extraction optional Recirculating kit (accessory) needed
- Extraction rate exhaust air according to EN 61591 max. 527 m³/h

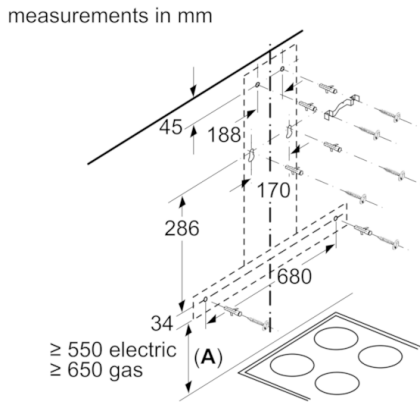
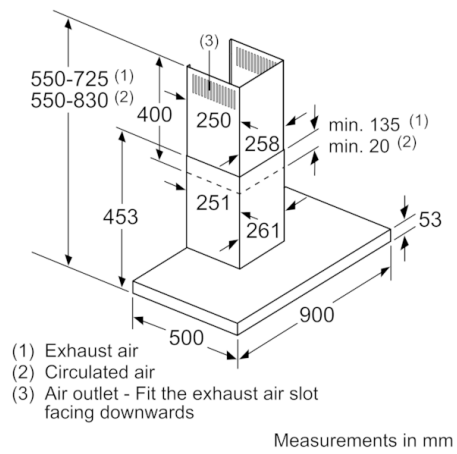
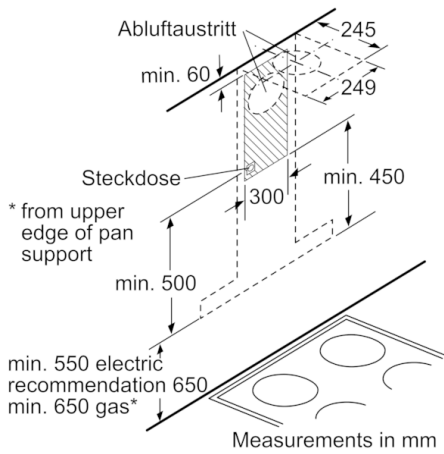
Convenience

- 2 x 3W LED Lights
- Light Intensity: 276 lux
- Colour Temperature: 3000 K
- Dishwasher safe metal grease filters

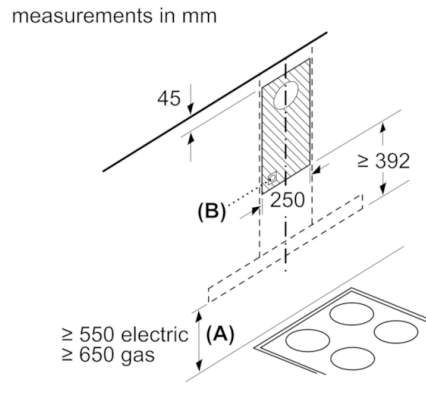
Technical Information

- Dimensions exhaust air (HxWxD): 450-830 x 898 x 500 mm
- Dimensions recirculating (HxWxD): 550-830 x 898 x 500 mm
- Diameter pipe Ø 120 mm (Ø 120 mm enclosed)
- 216 W total connected load
- Electrical cable length 1.5 m

**Serie | 2, Wall-mounted canopy rangehood,
90 cm, Stainless steel
DWB95BC50A**



A: from upper edge of pan support



A: from upper edge of pan support
B: Socket