

**Serie | 8, Wall-mounted canopy  
rangehood, 90 cm, Stainless steel  
DWB91PR50A**



**The wall-mounted chimney hood: mount it  
on the wall, giving you complete freedom in  
your kitchen planning.**

- With exhaust, the air is cleaned by a grease filter and then ducted to the outside which ensures optimal kitchen air quality
- **Intensive speed setting with reset:** automatically resets the hood to normal speed setting after 6 min..
- **LED lighting:** for perfect, energy-efficient illumination of the cooktop.
- **Intensive speed setting:** removes strong kitchen odours especially quickly and effectively.
- **PerfectAir sensor:** automatic control of settings for maximal extractor performance with minimal noise.

**Technical Data**

Typology :	Chimney
Approval certificates :	Australia Standards, VDE
Length electrical supply cord (cm) :	130
Height of the chimney (mm) :	582-908/568-1018
Height of product, without chimney (mm) :	46
Minimum distance above an electric hob :	550
Minimum distance above a gas hob :	650
Net weight (kg) :	19.777
Type of control :	Electronic
Number of speed settings :	3-stage + 2 intensive
Maximum output air extraction (m <sup>3</sup> /h) :	602
Boost position output recirculating (m <sup>3</sup> /h) :	561
Maximum output recirculating air (m <sup>3</sup> /h) :	462
Boost position air extraction (m <sup>3</sup> /h) :	964
Number of lights :	3
Noise level (dB) :	64
Diameter of air outlet (mm) :	120 / 150
Grease filter material :	Washable stainless steel
EAN code :	4242005107742
Connection Rating (W) :	265
Current (A) :	10
Voltage (V) :	220-240
Frequency (Hz) :	50; 60
Plug type :	AU plug
Installation typology :	Wall-mounted



## Serie | 8, Wall-mounted canopy rangehood, 90 cm, Stainless steel DWB91PR50A

**The wall-mounted chimney hood: mount it  
on the wall, giving you complete freedom in  
your kitchen planning.**

---

### Design

- Appliance colour: Stainless steel
- Electronic controls via TouchControl with lightline

### Operating and power

- 3-stage + 2 intensive
- Extraction rate exhaust air according to EN 61591 max. 964 m<sup>3</sup>/h
- Noise min./max. Normal Level: 45/64 dB\*
- Noise level in recirculation mode:  
Max. normal use: 73 dB(A) re 1 pW

### Comfort & Convenience

- For recirculated extraction optional Recirc. kit or clean air kit (accessory) needed
- Dishwasher safe metal grease filters
- grease- and charcoal filter
- 6 min.
- Additional noise insulation
- 3 x LM3-01\_LED\_1,5W
- SoftLight with light dimming function

### Technical Information

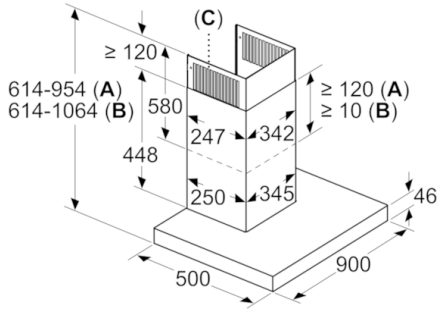
- Suitable for ducted or recirculating operation

### Dimensions (HxWxD)

- Appliance (ducted air): 614-954 x 898 x 500 mm
- Dimensions exhaust air (HxWxD): 614-954 x 898 x 500 mm
- Dimensions recirculating (HxWxD): 614-1064 x 898 x 500 mm
- Dimensions recirculating with CleanAir module (HxWxD):  
689 x 898 x 500 mm - mounting with outer chimney  
795-1139 x 898 x 500 mm - mounting with telescopic chimney
- 265 W total connected load
- Diameter pipe Ø 150 mm (Ø 120 mm enclosed)
- Electrical cable length 1.3 m

**Serie | 8, Wall-mounted canopy rangehood,  
90 cm, Stainless steel  
DWB91PR50A**

measurements in mm



- A:** Air extraction
- B:** Air recirculation
- C:** Air outlet – slots for exhaust air to be mounted facing down

