

# Freestanding Dishwasher, Sanitise

Series 7 | Contemporary

Stainless Steel

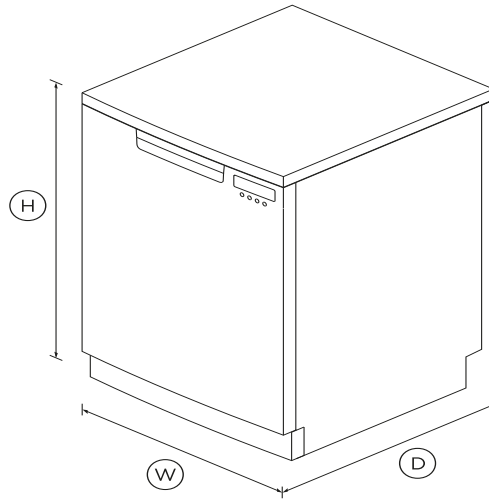


With flexible racking you can adjust to suit your load, and multiple wash features for beautifully clean dishes.

- Six wash programs, as well as additional Quick wash, Sanitise and Extra Dry options
- Auto option senses the optimum wash cycle for your dishes
- Full width utensil tray for quick access to cutlery

## DIMENSIONS

Height	820 - 870 mm
Width	597 mm
Depth	600 mm



## FEATURES & BENEFITS

### Quick, Sanitise and Extra Dry options

The Quick wash modifier delivers a faster wash while maintaining performance. The Sanitise option provides extra protection, killing 99.9% of bacteria in the final rinse. The Extra Dry setting is perfect for plastic dishes.

### A reliable wash

The three-stage filtration system results in a superior clean. Cup racks, wine glass supports and a utensil tray allow safe and easy cleaning of everyday items. A rinse aid indicator reminds you to

top up for squeaky-clean dishes.

### Flexible wash options

This dishwasher offers six wash programs with extra wash modifiers, including 'Auto' which automatically senses the optimal wash cycle for your dishes.

### Easy to load

Designed to fit 15 place settings, the flexible racking system features a third sliding rack for cutlery and utensils. The middle basket, cup racks and wine glass holders are easily adjusted to accommodate different sized dishes.

## SPECIFICATIONS

### Accessories

Kickstrip	proud-grey
-----------	------------

### Capacity and Loading

Accommodates round plates	300mm
Adjustable height, foldable	•
Easy lift adjustable upper	•
Fold down tines	•
Full width cutlery/utensil tray	•
Height adjustable rear wine	•
Pitch adjustable tines	•
Place settings	15
Wine glass supports	•

### Consumption

Energy star rating	4 star
Energy usage	246kWh/year
Water rating (WELS)	5.5 star (WELS)
Water usage	11.1 litres per wash cycle

**Controls**

- Child lock •
- End of cycle beeps •
- Energy saving delay start •
- Rinse aid indicator light •
- Time remaining LED display •

**Features**

- Quiet operation •
- ThermoDry system •
- Three-stage filtration system •
- Variable wash pressure •

**Performance**

Noise emissions **43dBA**

**Power requirements**

Amperage **10A**

**Product dimensions**

Depth **600 mm**  
 Height **820 - 870 mm**  
 Width **597 mm**

**Warranty**

Parts and labour **2 years**

**Wash Programs**

- Auto •
- Delicate •
- Eco •
- Extra Dry •
- Fast **30 minutes**
- Half-load •
- Heavy •
- Medium **109 minutes**
- Number of wash programs **7**
- Quick •
- Rinse •
- Sanitise •
- Wash modifiers **4**

**Water connection**

Water pressure **0.03 - 1Mpa**

SKU **81630**

TEST The product dimensions and specifications in this page apply to the specific product and model. Under our policy of continuous improvement, these dimensions and specifications may change at any time. You should therefore check with Fisher & Paykel's Customer Care Centre to ensure this page correctly describes the model currently available. ? Fisher & Paykel Appliances Ltd 2020

**Other product downloads available at fisherpaykel.com**

- [↓](#) Quick Start Guide
- [↓](#) Service & Warranty Booklet
- [↓](#) User Guide
- [↓](#) Installation Guide



**A PEACE OF MIND SALE**

**24 Hours 7 Days a Week Customer Support**

**T 0800 372 273 W www.fisherpaykel.com**