

Freestanding Dishwasher

Series 5 | Contemporary

White

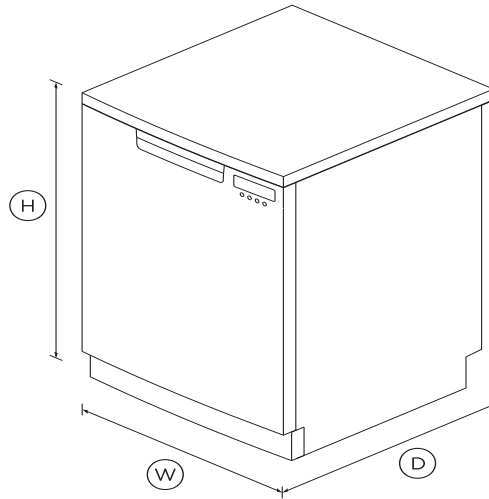


With flexible racking you can adjust to suit your load, and multiple wash features for beautifully clean dishes.

- Six wash programs to suit any load, from Delicate to Heavy
- Auto option senses the optimum wash cycle for your dishes

DIMENSIONS

Height	820 - 870 mm
Width	597 mm
Depth	600 mm



FEATURES & BENEFITS

A reliable wash

A three stage filtration system results in a superior clean. Cup racks, wine glass supports and cutlery basket allow safe and easy cleaning of everyday items. A rinse aid indicator reminds you to top up for squeaky-clean dishes.

Flexible wash options

This dishwasher offers six wash programs including Auto, which automatically senses the optimal wash cycle for your dishes.

Quiet performer

Running at a low decibel rate, these dishwashers do their job without making a fuss. Even the end of cycle alerts can be turned off.

Easy to load

Designed to fit 15 place settings, the middle basket, cup racks and wine glass holders are easily adjusted to accommodate different sized dishes.

SPECIFICATIONS

Accessories

Cutlery basket	•
Kickstrip	proud-white

Capacity and Loading

Accommodates round plates	300mm
Adjustable height, foldable	•
Easy lift adjustable upper	•
Fold down tines	•
Place settings	15
Wine glass supports	•

Consumption

Energy star rating	3.5 star
Energy usage	286kWh/year
Water rating (WELS)	5 star
Water usage	11.4 litres per wash cycle

Controls

Child lock	•
------------	---

- End of cycle beeps •
- Energy saving delay start •
- Rinse aid indicator light •
- Time remaining LED display •

Medium	90 minutes
Number of wash programs	6
Rinse	•

Features

- Quiet operation •
- ThermoDry system •
- Three-stage filtration system •
- Variable wash pressure •

Water connection

Water pressure	0.03 - 1Mpa
----------------	--------------------

SKU	81635
-----	--------------

TEST The product dimensions and specifications in this page apply to the specific product and model. Under our policy of continuous improvement, these dimensions and specifications may change at any time. You should therefore check with Fisher & Paykel's Customer Care Centre to ensure this page correctly describes the model currently available. © Fisher & Paykel Appliances Ltd 2020

Performance

Noise emissions	47dBA
-----------------	--------------

Power requirements

Amperage	10A
----------	------------

Product dimensions

Depth	600 mm
Height	820 - 870 mm
Width	597 mm

Warranty

Parts and labour	2 years
------------------	----------------

Wash Programs

- Auto •
- Eco •
- Fast **30 minutes**
- Heavy •

Other product downloads available at fisherpaykel.com

- [↓](#) Quick Start Guide
- [↓](#) Service & Warranty Booklet
- [↓](#) User Guide
- [↓](#) Installation Guide



A PEACE OF MIND SALE

24 Hours 7 Days a Week Customer Support

T 0800 372 273 W www.fisherpaykel.com