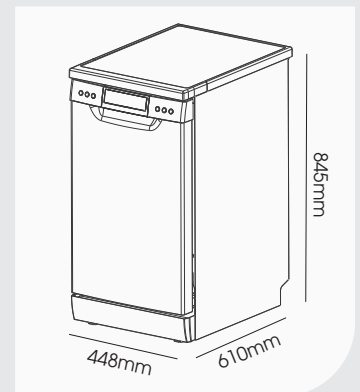


# Our latest addition. Inspiring designs for New Zealand Kitchens.

## 450MM DISHWASHER ECONOMY PLUS STAINLESS STEEL DW45SP

- 9 Place Settings
- 6 Programmes
- Easy to use controls
- Delayed start option
- Third Layer Cutlery Basket
- Child Lock
- Water Rating: 3.5 Star (11L per wash)
- Energy Rating: 3.5 Star (189kWh)
- Noise: 49db
- 7 Year Warranty



### Impressive 7 Year Warranty

Note: 7 year warranty is for domestic use only.  
For more information visit [www.parmco.co.nz](http://www.parmco.co.nz).

**PARMCO**  
Inspiring kitchens, entertaining homes

**AVAILABLE NOW**

Ask your local Parmco Representative for Pricing