

**Serie | 8, integrated rangehood, 86 cm, Stainless steel
DHL895DAU**



The canopy cooker hood: offers you flexibility in your kitchen planning - mount it either on the wall or above a kitchen island.

- **Silent:** maximal extractor performance with little noise
- With exhaust, the air is cleaned by a grease filter and then ducted to the outside which ensures optimal kitchen air quality
- **Intensive speed setting with reset:** automatically resets the hood to normal speed setting after 6 min..
- **LED lighting:** for perfect, energy-efficient illumination of the cooktop.
- **Intensive speed setting:** removes strong kitchen odours especially quickly and effectively.

Technical Data

Typology :	Traditional
Approval certificates :	Australia Standards, CE, VDE
Length electrical supply cord (cm) :	150
Required niche size for installation (HxWxD) :	418mm x 836.0mm x 264mm
Minimum distance above an electric hob :	500
Minimum distance above a gas hob :	650
Net weight (kg) :	9.734
Type of control :	Electronic
Maximum output air extraction (m ³ /h) :	610
Boost position output recirculating (m ³ /h) :	727
Maximum output recirculating air (m ³ /h) :	563
Boost position air extraction (m ³ /h) :	800
Number of lights :	2
Noise level (dB) :	64
Diameter of air outlet (mm) :	120 / 150
Grease filter material :	Washable aluminium
EAN code :	4242005141241
Connection Rating (W) :	172
Current (A) :	3
Voltage (V) :	220-240
Frequency (Hz) :	50
Plug type :	AU plug
Installation typology :	Built-in



4 242005 141241

**Serie | 8, integrated rangehood, 86 cm,
Stainless steel
DHL895DAU**

**The canopy cooker hood: offers you
flexibility in your kitchen planning - mount it
either on the wall or above a kitchen island.**

Design

- 86 cm, Integrated Rangehood
- Appliance colour: Stainless steel
- Electronic controls via Push button controls with Electronic display

Operating and power

- 3 power settings plus intensive setting
- Extraction rate according to EN 61591:
Min: 210 m³/h
Intensive: 800 m³/h
- Noise min./max. Normal Level: 41/64 dB*
- EcoSilence Drive BLDC motor
- Rim ventilation
- Suitable for ducted or recirculating operation
- For recirculated extraction optional Recirc. kit or clean air kit (accessory) needed

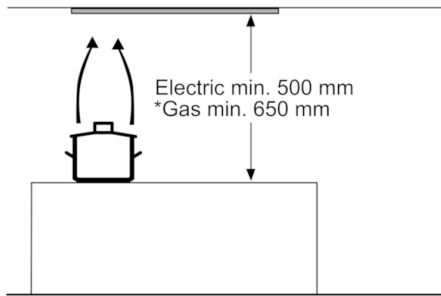
Comfort & Convenience

- Dishwasher safe metal grease filters
- grease filter
- 6 min.
- 2 x LED spot 1W

Dimensions (HxWxD)

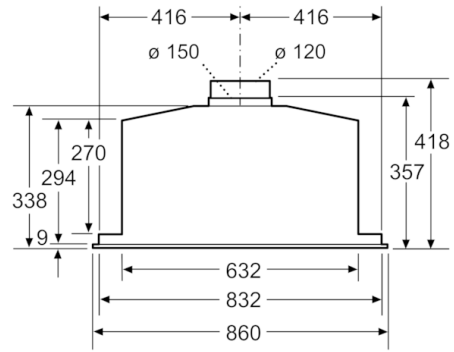
- Dimensions exhaust air (HxWxD): 418-418 x 860 x 282 mm
- Dimensions recirculating (HxWxD): 418-418 x 860 x 282 mm
- Diameter pipe Ø 150 mm (Ø 120 mm enclosed)
- 172 W total connected load
- Electrical cable length 1.5 m

**Serie | 8, integrated rangehood, 86 cm,
Stainless steel
DHL895DAU**

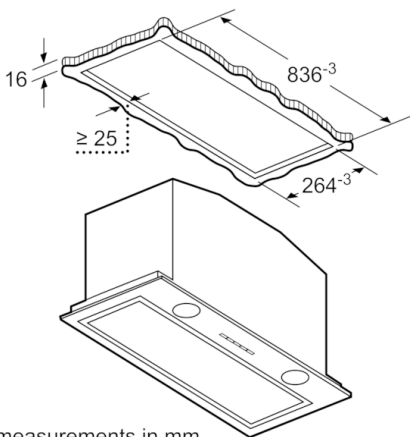


* from upper edge of pan support

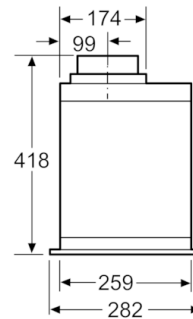
measurements in mm



measurements in mm



measurements in mm



measurements in mm