

**Serie | 8, Warming drawer, 60 x 14 cm,
Stainless steel
BIC630NS1A**



**The multifunctional warming drawer for the
14 cm niche: for pre-heating plates, keeping
food warm and low temperature cooking.**

- **Push-pull mechanism:** easy opening and closing thanks to a practical spring mechanism.
- **Cleaning convenience:** easy-to-clean hotplate made of tempered glass.

Technical Data

Built-in / Free-standing :	Built-in
Color / Material Front :	Stainless steel
Maximum number of plates :	12
Maximum number of espresso cups :	64
Dimensions of the packed product (HxWxD) (mm) :	210 x 660 x 660
Required niche size for installation (HxWxD) :	140 x 560 x 550
EAN code :	4242002813868
Electrical connection rating (W) :	810
Current (A) :	10
Voltage (V) :	220-240
Frequency (Hz) :	60; 50
Plug type :	AU plug



**Serie | 8, Warming drawer, 60 x 14 cm,
Stainless steel
BIC630NS1A**

**The multifunctional warming drawer for the
14 cm niche: for pre-heating plates, keeping
food warm and low temperature cooking.**

Heating Functions

- Temperature control with 4 levels: 40 °C - 80 °C (glass surface temperature)
- Suitable for:
 - Pre-warming of crockery
 - Keeping drinks and food warm
 - Dough proving
 - Defrosting
 - Slow cooking

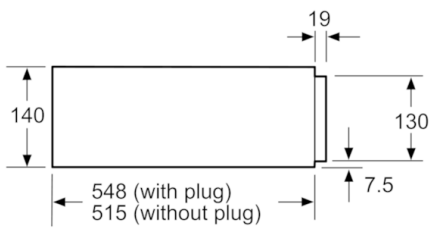
Convenience

- Cavity volume: 20 l
- Max weight up to 25 kg
- Telescopic pull-out drawer
- Heating plate made of toughened glass
- 140 mm height
- Push&Pull opening mechanism

Technical Information

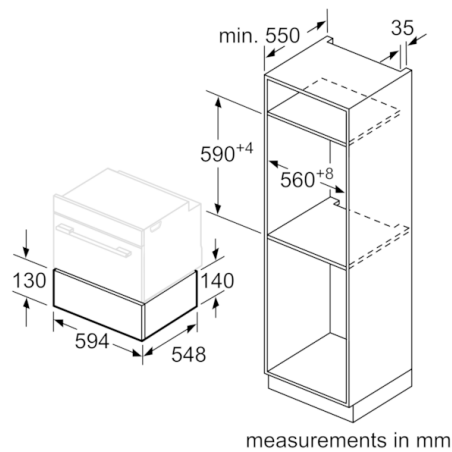
- Connected load: 0.81 KW
- Appliance dimension (HxWxD): 140 mm x 594 mm x 548 mm
- Length of mains cable: 150 cm
- Installation dimensions (HxWxD): 140 mm x 560 mm - 568 mm x 550 mm

**Serie | 8, Warming drawer, 60 x 14 cm,
Stainless steel
BIC630NS1A**



Compact ovens with an appliance height of 455 mm can be installed above a warming drawer. An intermediate floor is not required.

measurements in mm



measurements in mm